

17. オプション一覧表

表17

部品番号	名称	備考
HOT-2000	ASSY CONTROL PANEL 2L6B	2レバー 6ボタン
HOT-20001	ASSY CONTROL PANEL 2L8B	2レバー 8ボタン
HOT-20003	ASSY CONTROL PANEL 2L12B	2レバー 12ボタン
600-6739-34	WIRE HARN OPTION	変換ハーネス
200-5529	BAR HANDLE	モニター作業用工具
030-000620-S	HEX BLT W/S M6 × 20	工具取付用ボルト

バーハンドルの使用方法

バーハンドル(オプション工具)はモニターの取り外し、縦横転換、取り付けの各作業の際、作業を容易に行うためにモニターの取っ手として使用します。
バーハンドルは2個を1組として使用します。取付用ボルト各2本を用いてモニターの板金フレーム部に固定して使用してください。

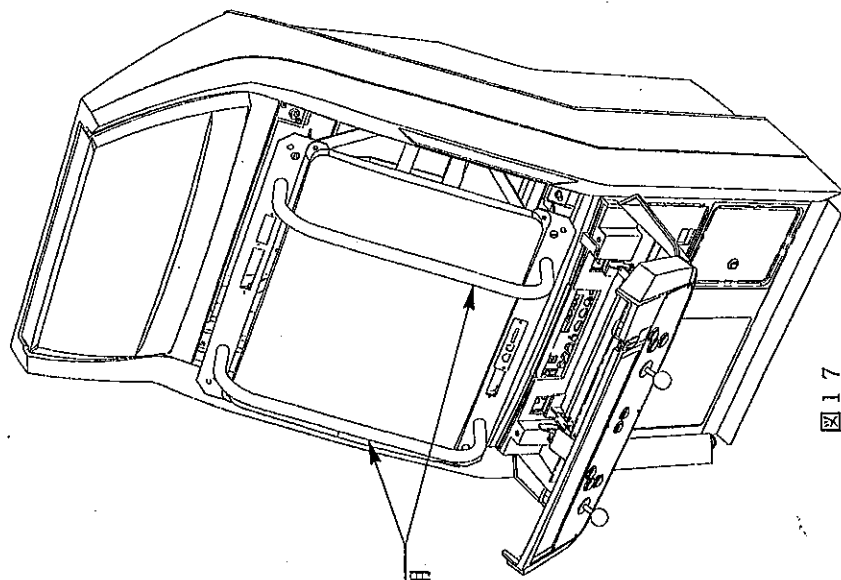
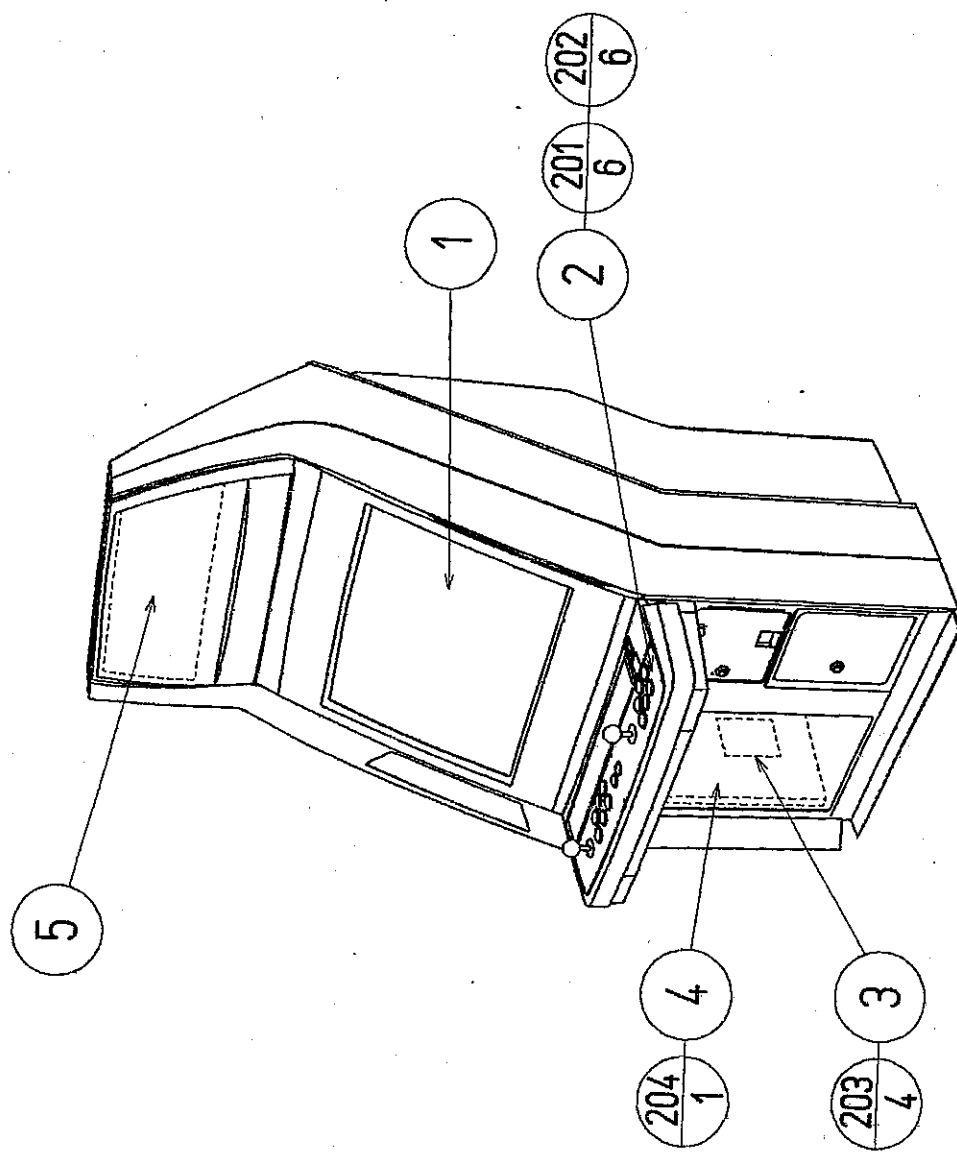


図17

18. 部品リスト

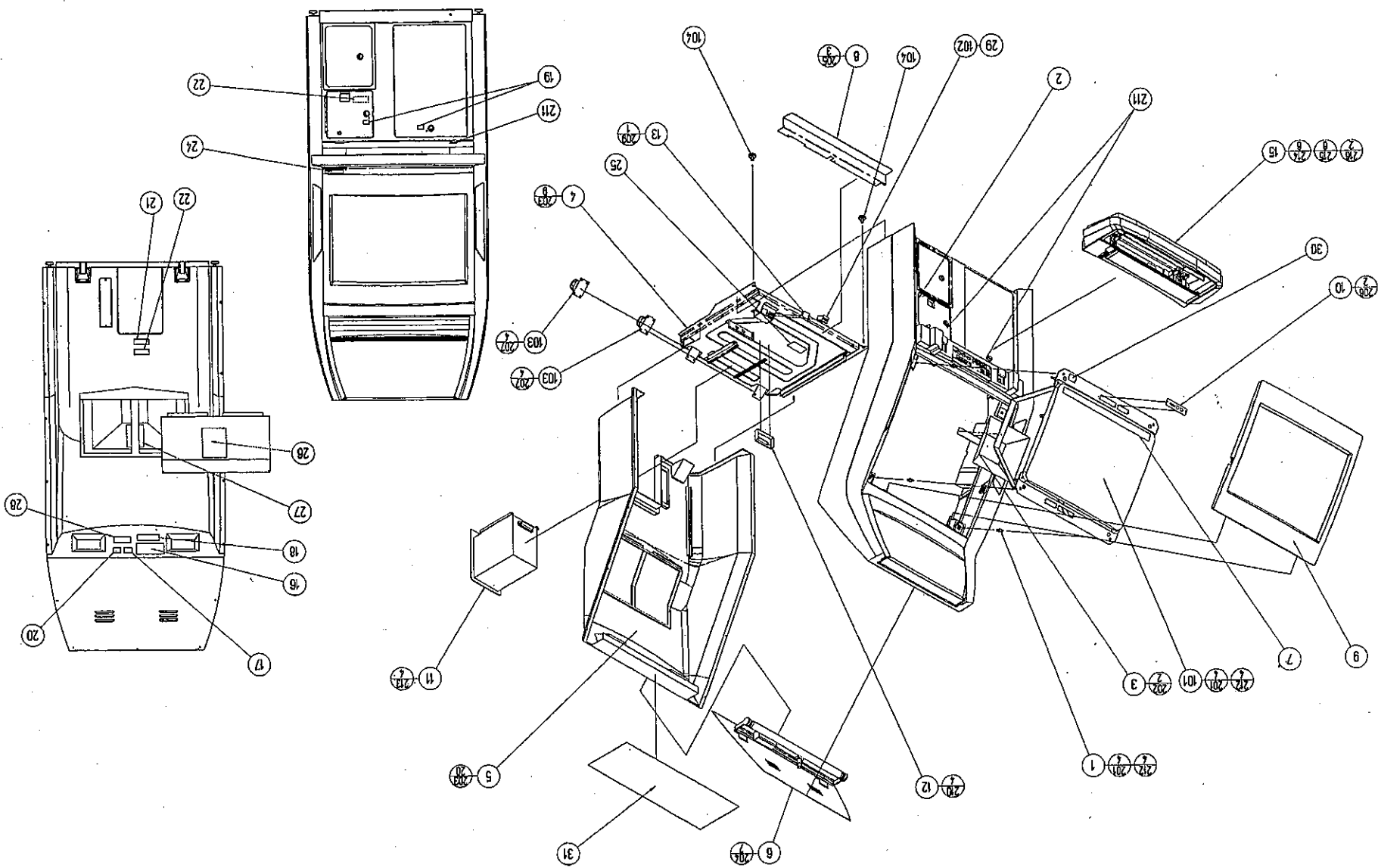
① TOP ASSY DOTTORIKUN (HOT-0000)



ITEM NO.	PART NO.	DESCRIPTION	NOTE
1	HOT-1000	ASSY CABINET 15K	
2	HOT-20003	ASSY CONTROL PANEL 2L12B	
3	837-7419-01	IC BD DOTTORIKUN	
4	HOT-0101	WOODEN BASE	
5	HOT-1122	BILLBOARD SHEET	
201	031-0S0416	CRG BLT STN M4×16	
202	050-F00400	FLG NUT M4	
203	011-P00312	TAP SCR PH 3×12	
204	032-000420	WING BLT M4×20	
301	600-6738-21	WIRE HARN JAMMA	
401	253-5442	ANTIBACTERIAL CAP SW	
402	600-6739-34	WIRE HARN OPTION	
403	600-6739-42	WIRE HARN BILLBOARD	

② ASSY CABINET 15K (HOT-1000)

(D-1/3)



② ASSY CABINET 15K (HOT-1000)

(D-2/3)

ITEM NO.	PART NO.	DESCRIPTION	NOTE
1	HOT-1001	STUD BOLT	
2	HOT-1100	ASSY FRONT CABI	
3	HOT-1004	ASSY SHIELD COVER	
4	HOT-1002	LOWER BASE	
5	HOT-1300	ASSY REAR CABI	
6	HOT-1350	ASSY FL	
7	CQN-1003	GUTTER	
8	HOT-1003X	STEP	
9	HOT-1400	ASSY MASK	
10	HOT-1005	CONN PLATE CRT	
	HOT-1005-01	CONN PLATE CRT	
11	400-5325-01-91	POWER SUPPLY UNIT	
12	HOT-1006X	CONN BRKT PWR SPLY	
13	HOT-1007	LID COIN CNTR	
14	HOT-1800	ASSY WIRE	
15	HOT-1500	ASSY CONTROL BOX	
16	421-6555-94	STICKER SEGA INFO	
	421-6556-95	STICKER POSSESSION INFO	
17	421-6594-91	STICKER CERTIFICATE	
18	421-6651	STICKER BUSINESS INFO	
19	421-6682	STICKER SERVICE INSTR	
20	421-7937	STICKER EMI	
21	421-7987	STICKER ELEC SPEC	
22	421-7988-91	STICKER SERIAL NUMBER	
24	421-6096	STICKER DESIGN PENDING	
25	440-WS0033XJP	STICKER W BD POWER OFF	
26	440-WS0001XJP	STICKER W NOT OPEN DOOR	
27	440-DS0013XJP	STICKER D MONITOR	
28	421-8368	STICKER ANTISTATIC	
29	421-9168-01	STICKER COIN METER	
30	421-8298	STICKER MONITOR INST	
31	HOT-1008	SHADE	
101	200-5503-15-01	ASSY CLR DSPL 29TYPE 15K 100V	
	200-5642-15	ASSY CLR DSPL 29	
102	220-5569	MAG CNTR W/CONN	
	220-5570	MAG CNTR W/CONN	
103	601-6151-01	CASTER	
104	601-6076	LEG ADJUSTER 32	
105	280-5009-01	CORD CLAMP 21	
106	280-5275-SR10	CORD CLAMP SR10	
107	601-6231-C030	EDGING NEW TYPE	
108	601-6231-D030	EDGING NEW TYPE	
201	050-H01000	HEX NUT M10	
202	000-P00408-WB	M SCR PH W/FS BLK M4×8	
203	012-P00520-OC	TAP SCR PH CRM 5×20	
204	012-T00410-OC	TAP SCR TH CRM 4×10	
205	000-P00420-W	M SCR PH W/FS M4×20	
206	000-P00308-W	M SCR PH W/FS M3×8	
207	030-000616-S	HEX BLT W/S M6×16	
209	010-P00306-F	S-TITE SCR PH W/F M3×6	

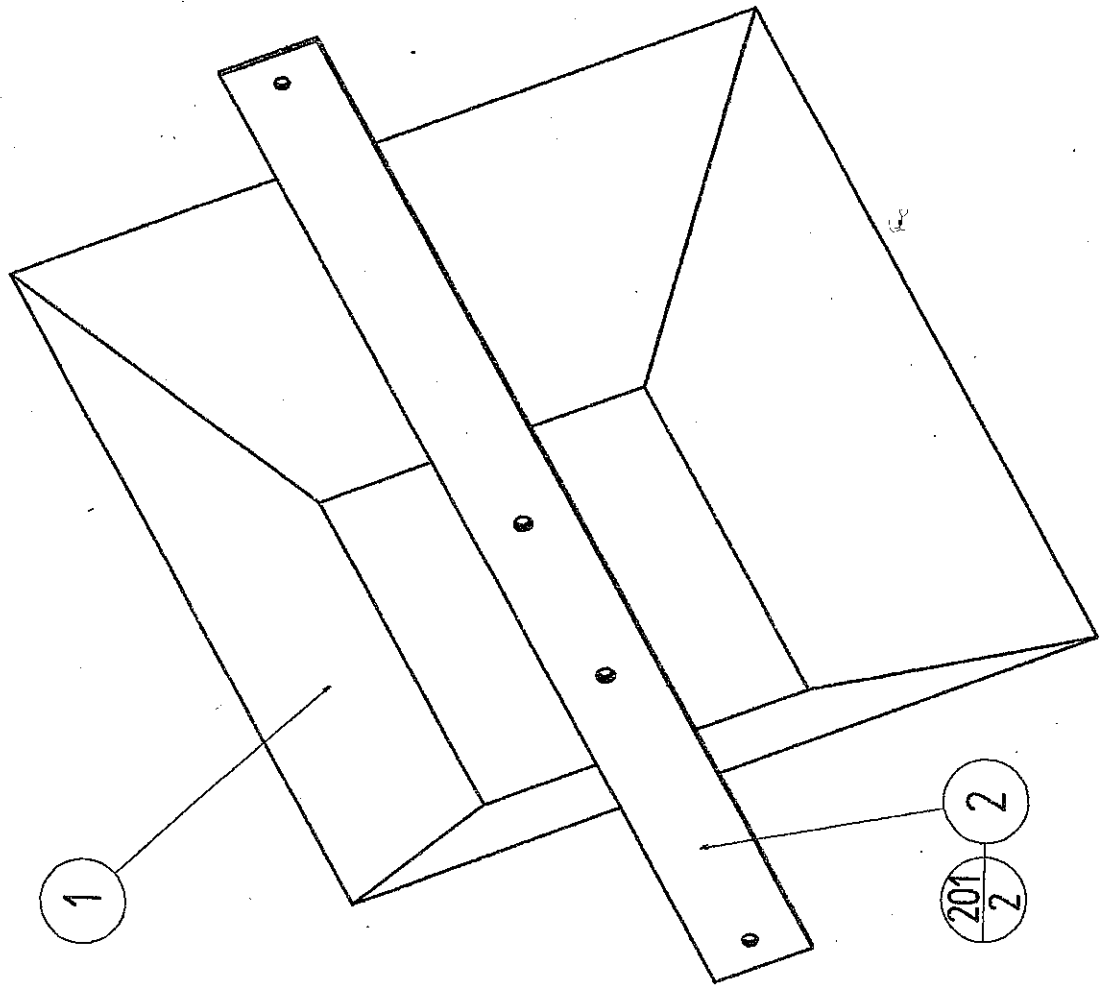
ナカ製モニター使用時のみ

② ASSY CABINET 15K (HOT-1000)

(D-3/3)

ITEM NO.	PART NO.	DESCRIPTION	NOTE
210	010-P00412-F	S-TITE SCR PH W/F M4×12	
211	000-P00430	M SCR PH M4×30	
212	060-S01000	SPR WSHR M10	
213	000-P00412-WB	M SCR PH W/FS BLK M4×12	
214	030-000625-SB	HEX BLT W/S BLK M6×25	
215	068-652016-0B	FLT WSHR BLK 6.5-20×1.6	
216	000-F00512	M SCR FH M5×12	
301	600-6738-07	WIRE HARN CLR DSPL	
302	600-6738-06	WIRE HARN METER	
401	601-6605-03	CARTON BOX 345×470×40	
402	420-6223	OWNERS MANUAL BLAST CITY	
403	509-5276	CHEATER	
404	220-5576	KEY MASTER FOR 220-5575	
405	421-9096	STICKER DENOMI FOR HOT	
406	600-6724	AC CABLE CONNECT TYPE 15A	
409	600-6729	AC CABLE CONNECT TYPE 15A	
410	SGM-4111	KEY BAG	
411	SGM-4420	AIR CAP COVER 900×900×1800	
413	SGM-2675	POLYETHYLENE BAG 240×370	
	600-6664-02	WIRE HARN EARTH W/LUG M6	

③ ASSY SHIELD COVER (HOT-1004)



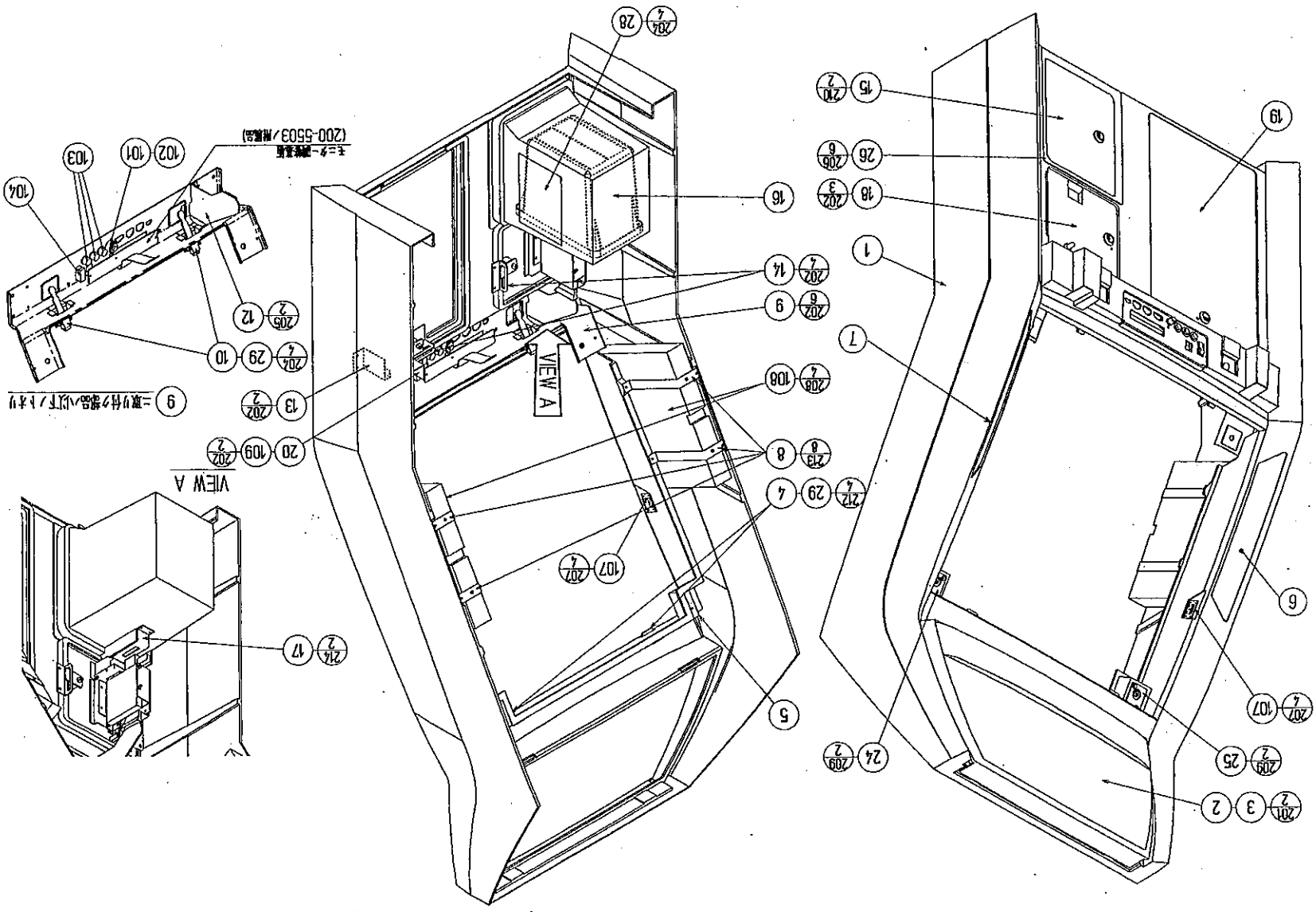
ITEM NO.	PART NO.	DESCRIPTION	NOTE
1	200-5258	MONITOR SHIELD	
2	200-5506	SHIELD STAY LONG	
201	000-P00408-W	M SCR PH W/FS M4×8	

④ ASSY FRONT CABI (HOT-1100)

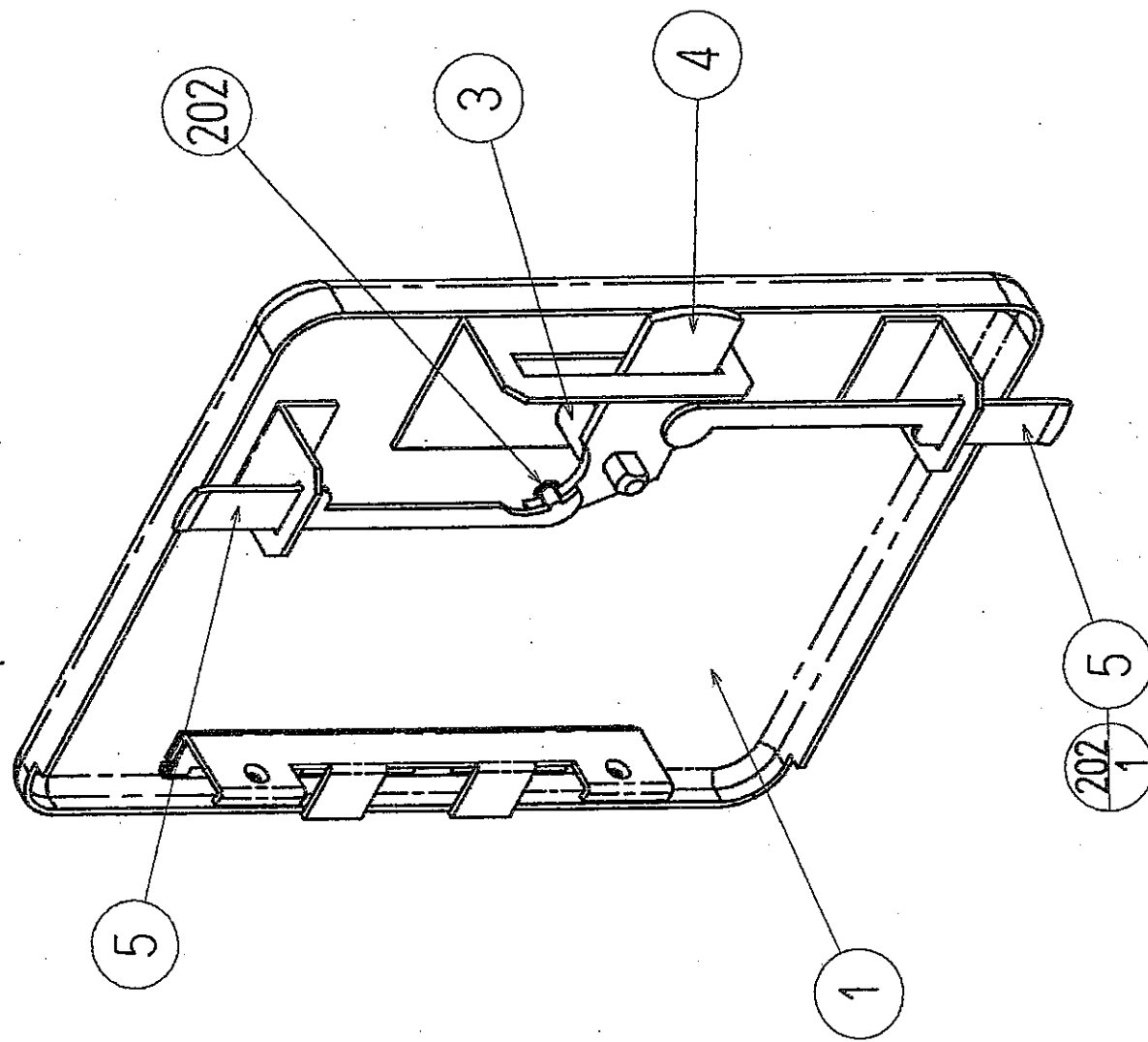
NOTE

ITEM NO.	PART NO.	DESCRIPTION
1	HOT-1101X	FRONT PIECE
2	HOT-1102	BILLBOARD COVER
3	HOT-1103X	BILLBOARD PNL
4	HOT-1104	MASK HOLDER UPPER
5	HOT-1105	REINFORCE
6	HOT-1106	SPEAKER NET R
7	HOT-1107	SPEAKER NET L
8	HOT-1108	SPEAKER BRKT
9	HOT-1109	MIDDLE FRAME
10	HOT-1110	LOCK UNIT
12	HOT-1112	COIN CHUTE
13	HOT-1113	BD HOLDER UPPER
14	CQN-1313	LOCK BRKT
15	HOT-1200	ASSY CASH BOX DOOR
16	253-5366	CASH BOX
17	HOT-1116	COIN CEILING
18	HOT-1270	ASSY COIN CHUTE DOOR
19	HOT-1250	ASSY SERVICE DOOR
20	HOT-1119	DOOR SW BRKT
24	HOT-1120	REINFORCE PLATE R
25	HOT-1121	REINFORCE PLATE L
26	HOT-1202	FRAME CASH BOX DOOR
28	839-0894	TERMINAL BD
29	HOT-1125	SPACER
101	220-5420	RHEO STAT 100 OHM 10W
102	601-6999	KNOB 18 SERRATION
	601-8810	KNOB MR-1512-1T
103	509-5028	SW PB 1M
104	509-5453-V-B	SW ROCKER J8 V-B
106	310-5029-F20	SUMITUBE F F20MM
107	601-8726	CATCH F
108	130-5156	SPEAKER BOX 8 OHM 20W
110	509-5762	LINE INTERRUPT SWITCH
	509-5763	LINE INTERRUPT SWITCH
111	601-0460	PLASTIC TIE BELT 100MM
112	280-5009-01	CORD CLAMP 21
201	000-T00512-0C	M SCR TH CRM M5×12
202	012-T00410-0C	TAP SCR TH CRM 4×10
204	012-P00312	TAP SCR PH 3×12
205	010-P00406-F	S-TITE SCR PH W/F M4×6
206	012-P00310	TAP SCR FH 3×10
207	047-PA3207-6	RVT OPEN TYPE AL 3.2×7.6
208	000-P00512-W	M SCR PH W/FS M5×12
209	000-F00412-0B	M SCR FH BLK M4×12
210	000-F00308	M SCR FH M3×8
211	012-P00316	TAP SCR PH 3×16
212	012-P00412	TAP SCR PH 4×12
213	012-P00410	TAP SCR PH 4×10
214	012-P00306	TAP SCR PH 3×6
215	090-0175	GEMEDINE 8008
301	600-6738-03	WIRE HARN DOOR SW
302	600-6738-04	WIRE HARN TEST SW

④ ASSY FRONT CABI (HOT-1100)

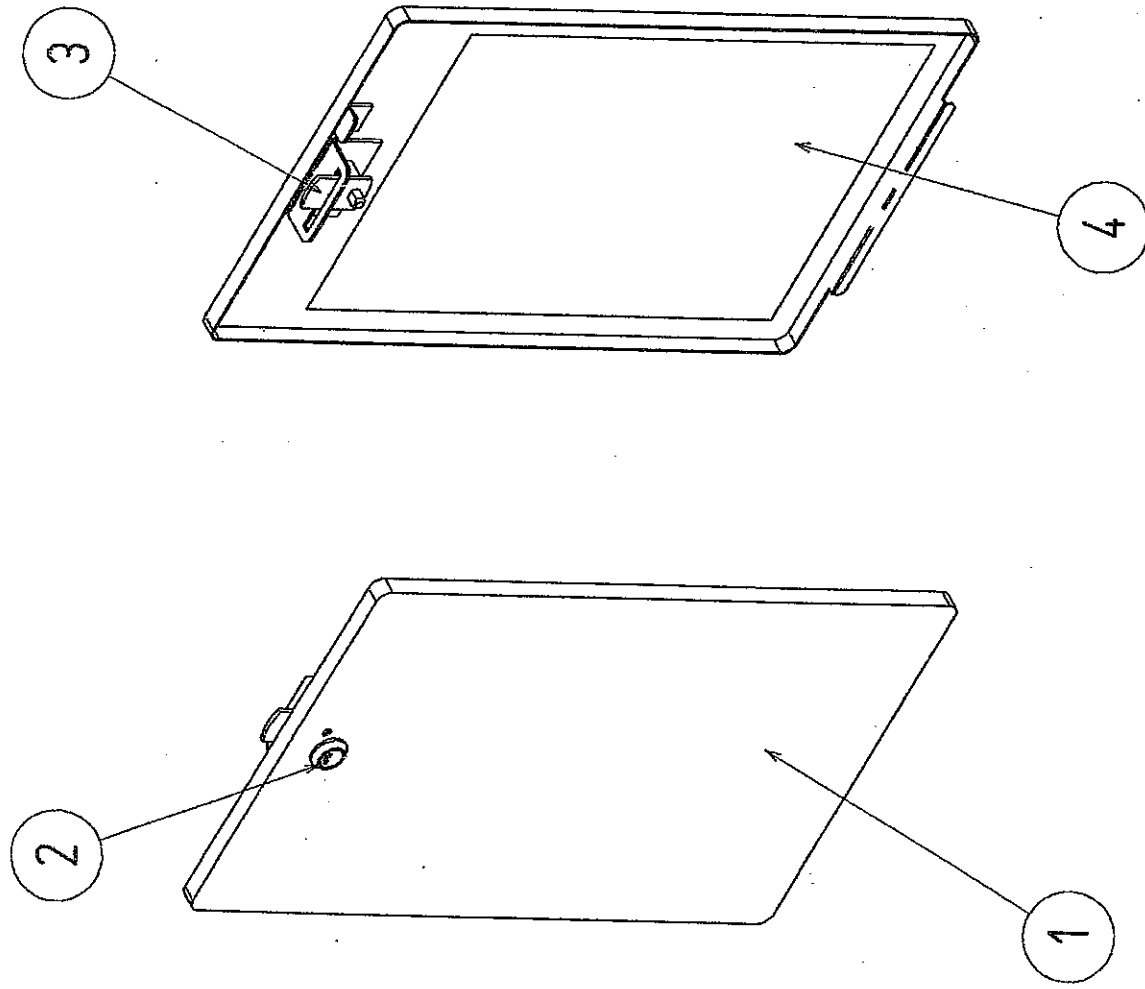


⑤ ASSY CASH BOX DOOR (HOT-1200)



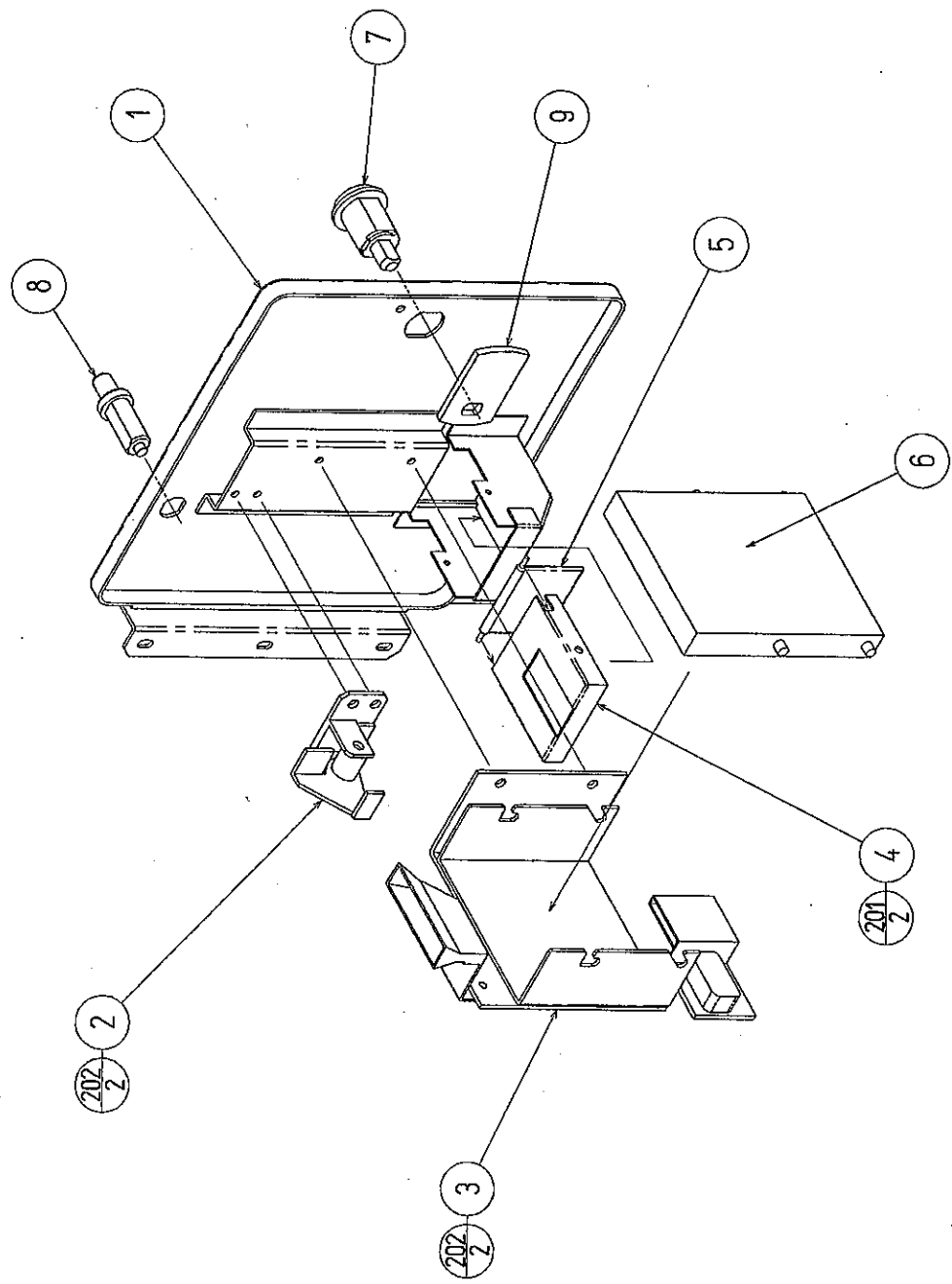
ITEM NO.	PART NO.	DESCRIPTION	NOTE
1	HOT-1201	CASH BOX DOOR	
3	220-5574	CAM LOCK W/KEYS	
4	HOT-1203X	CENTER TNG	
5	HOT-1204X	SIDE TNG	
202	065-E00300	E RING 3MM	

⑥ ASSY SERVICE DOOR (HOT-1250)



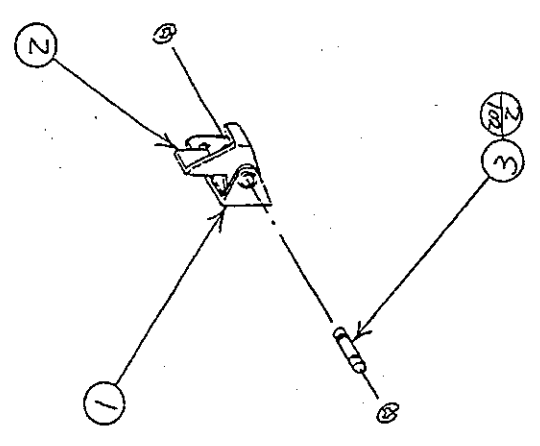
ITEM NO.	PART NO.	DESCRIPTION	NOTE
1	HOT-1251	SERVICE DOOR	
2	220-5575	CAM LOCK MASTER W/O KEY	
3	DP-1167	TNG LKG	
4	HOT-1252X	PAPER INSULATOR	

⑦ ASSY COIN CHUTE DOOR (HOT-1270)



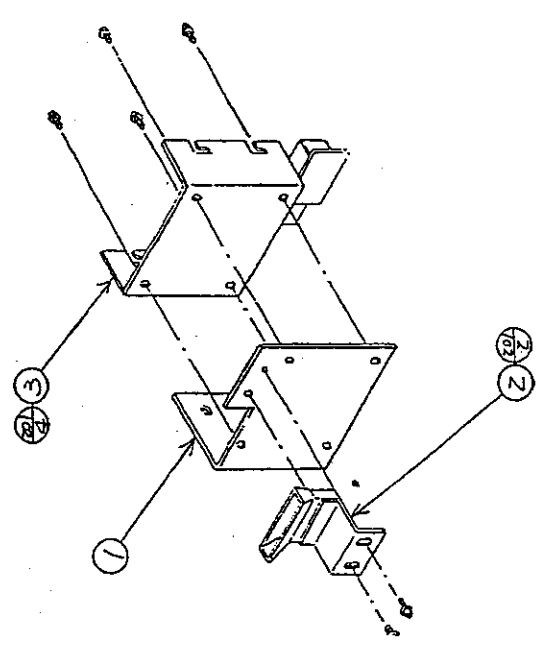
ITEM NO.	PART NO.	DESCRIPTION	NOTE
1	CQN-1320X	COIN CHUTE DOOR	
2	CQN-1321	ASSY REJECT LEVER	
3	CQN-1324	ASSY COIN CHUTE BRKT	
4	HOT-1271	REJECT COVER	
5	HOT-1272	FLAP	
6	220-0136	CN CHT REJ TYPE #100	
7	220-5575	CAM LOCK MASTER W/O KEY	
8	250-5043	REJECT BUTTON ASSEMBLY	
9	DP-1167	TNG LKG	
101	280-5275-SR10	CORD CLAMP SR10	
102	601-0460	PLASTIC TIE BELT 100MM	
201	010-P00306-F	S-TITE SCR PH W/F M3×6	
202	010-P00408-F	S-TITE SCR PH W/F M4×8	
302	600-6738-09	WIRE HARN COIN MECHA	
303	600-6738-31	WIRE HARN EARTH COIN MECHA	

⑧ ASSY REJECT LEVER (CQN-1321)



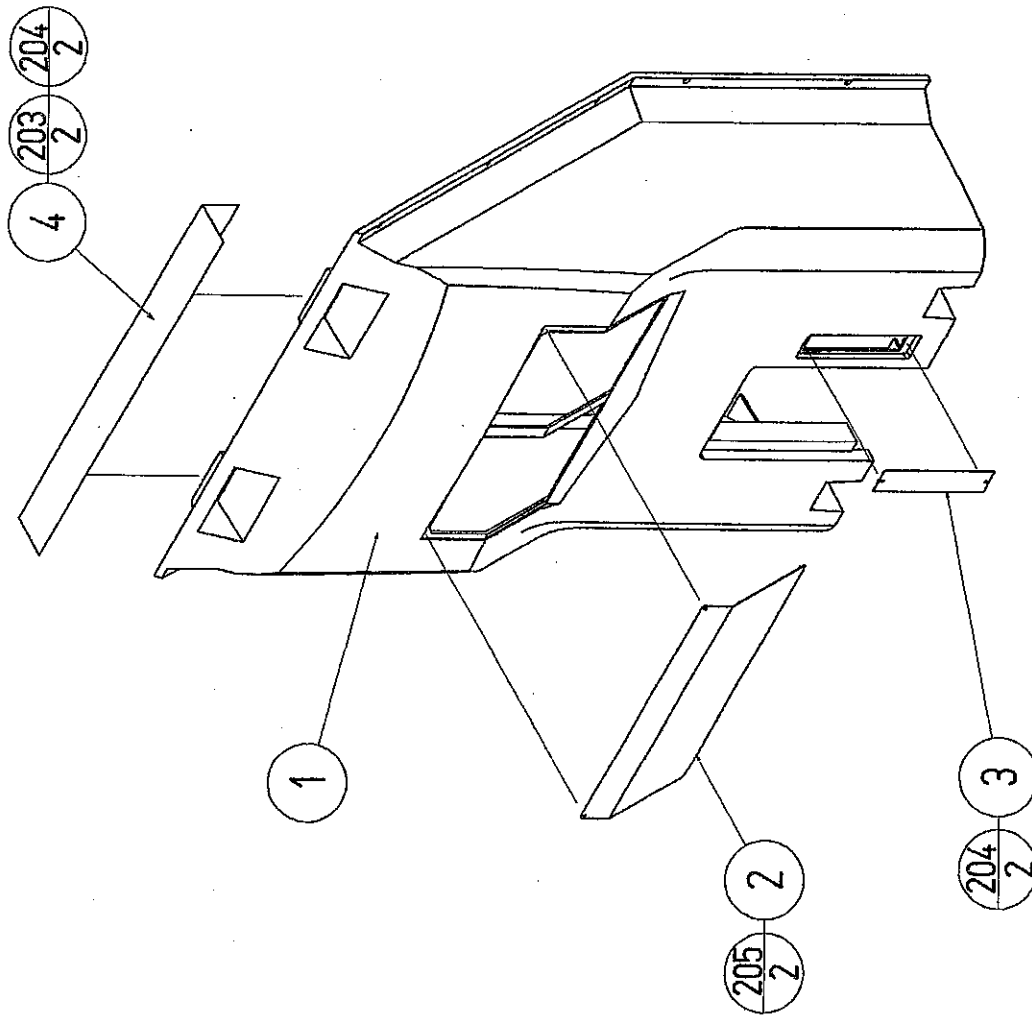
ITEM NO.	PART NO.	DESCRIPTION	NOTE
1	CQN-1322	REJECT LEVER BRACKET	
2	CY-1032	REJECT LEVER	
3	123-0035	SHAFT	
201	069-0039	E RING 3.2	

⑨ ASSY COIN CHUTE BRKT (CQN-1324)



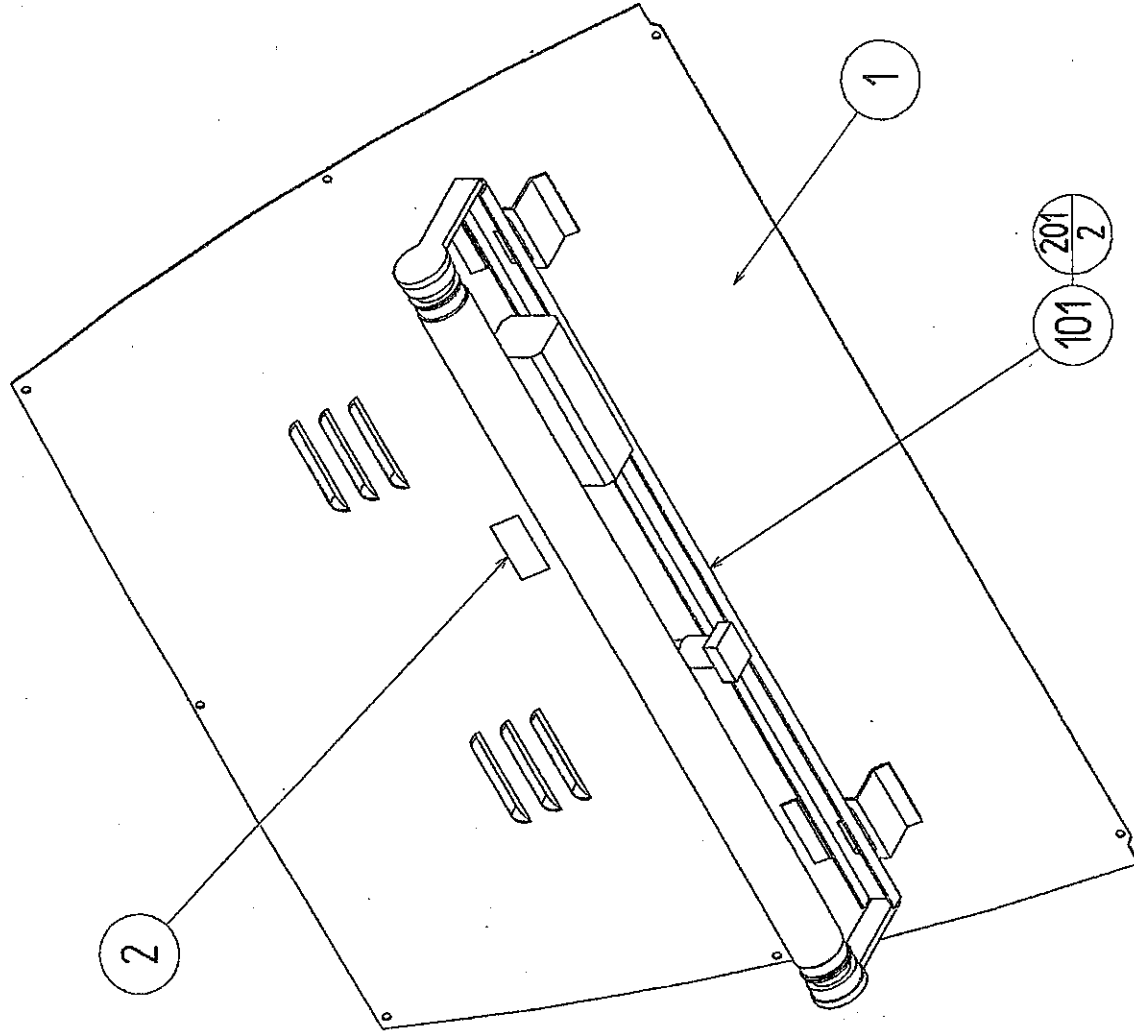
ITEM NO.	PART NO.	DESCRIPTION	NOTE
1	CY-1009	COIN CHUTE BRACKET	
2	105-5041	UPPER COIN CHUTE	
3	220-5086	COIN CHUTE BRACKET	
201	010-P00408-F	S-TITE SCR PH W/F M4×8	

⑩ ASSY REAR CABI (HOT-1300)



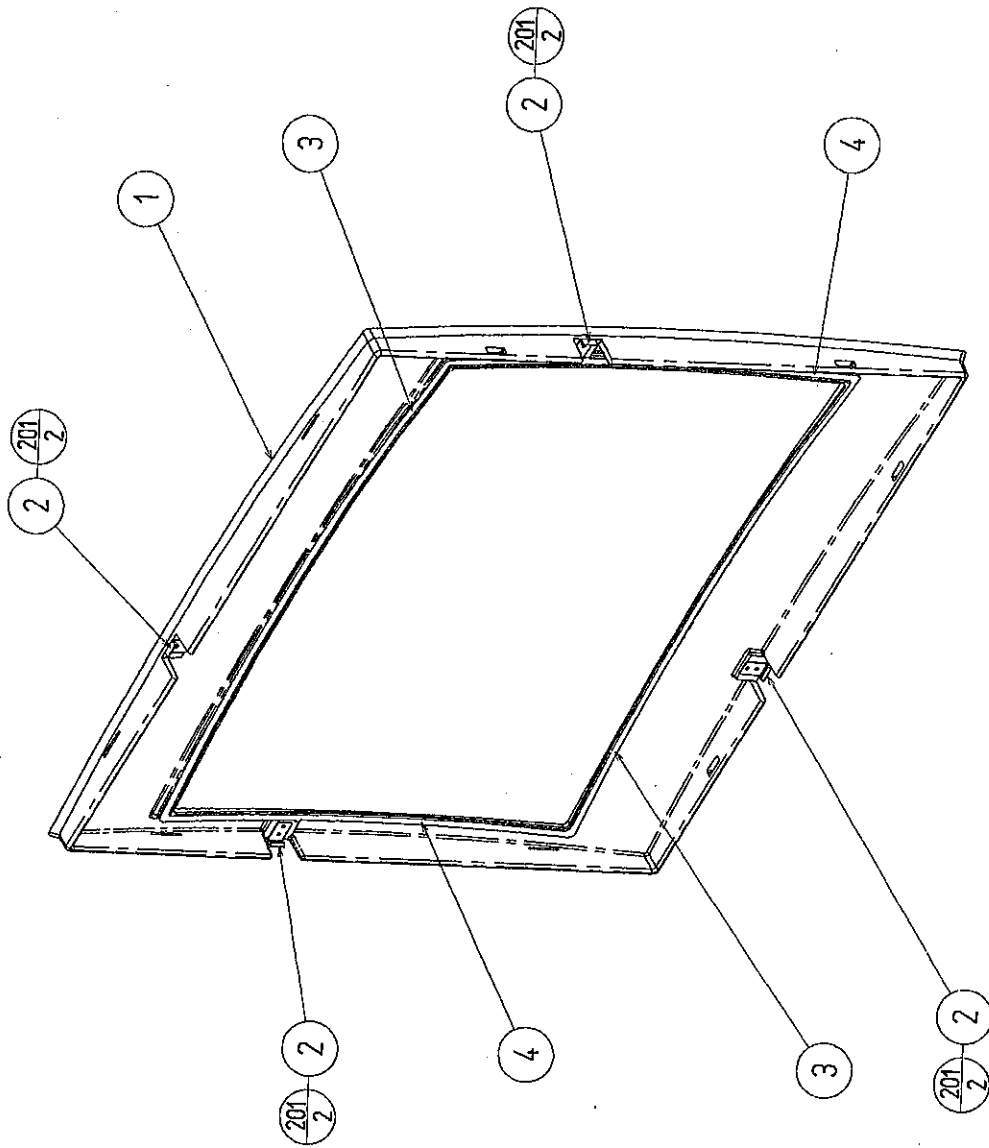
ITEM NO.	PART NO.	DESCRIPTION	NOTE
1	HOT-1301	REAR PIECE	
2	HOT-1304	MAINTENANCE HATCH	
3	HOT-1303	LID COMMUNI PORT	
4	HOT-1305	HANDLE COVER	
203	012-T00410-0C	TAP SCR TH CRM 4x10	
204	000-T00410-0C	M SCR TH CRM 4x10	
205	000-P00412-WB	M SCR PH W/FS BLK M4x12	

⑪ ASSY FL (HOT-1350)



ITEM NO.	PART NO.	DESCRIPTION	NOTE
1	HOT-1351	FL LID	
2	421-7501-17	STICKER FL 20W	
3	440-WS0012XJP	STICKER W HIGH TEMP	
101	390-5636-20SD	ASSY FL 20W SD W/CONN HIGH S	
102	390-5637-20SD	ASSY FL 20W SD W/CONN HIGH T	
103	280-5275-SR10	CORD CLAMP SR10	
	601-0460	PLASTIC TIE BELT 100MM	
201	010-P00416-F	S-TITE SCR PH W/F M4x16	
301	600-6738-05	WIRE HARN FL	
302	600-6738-32	WIRE HARN EARTH FL UNIT	

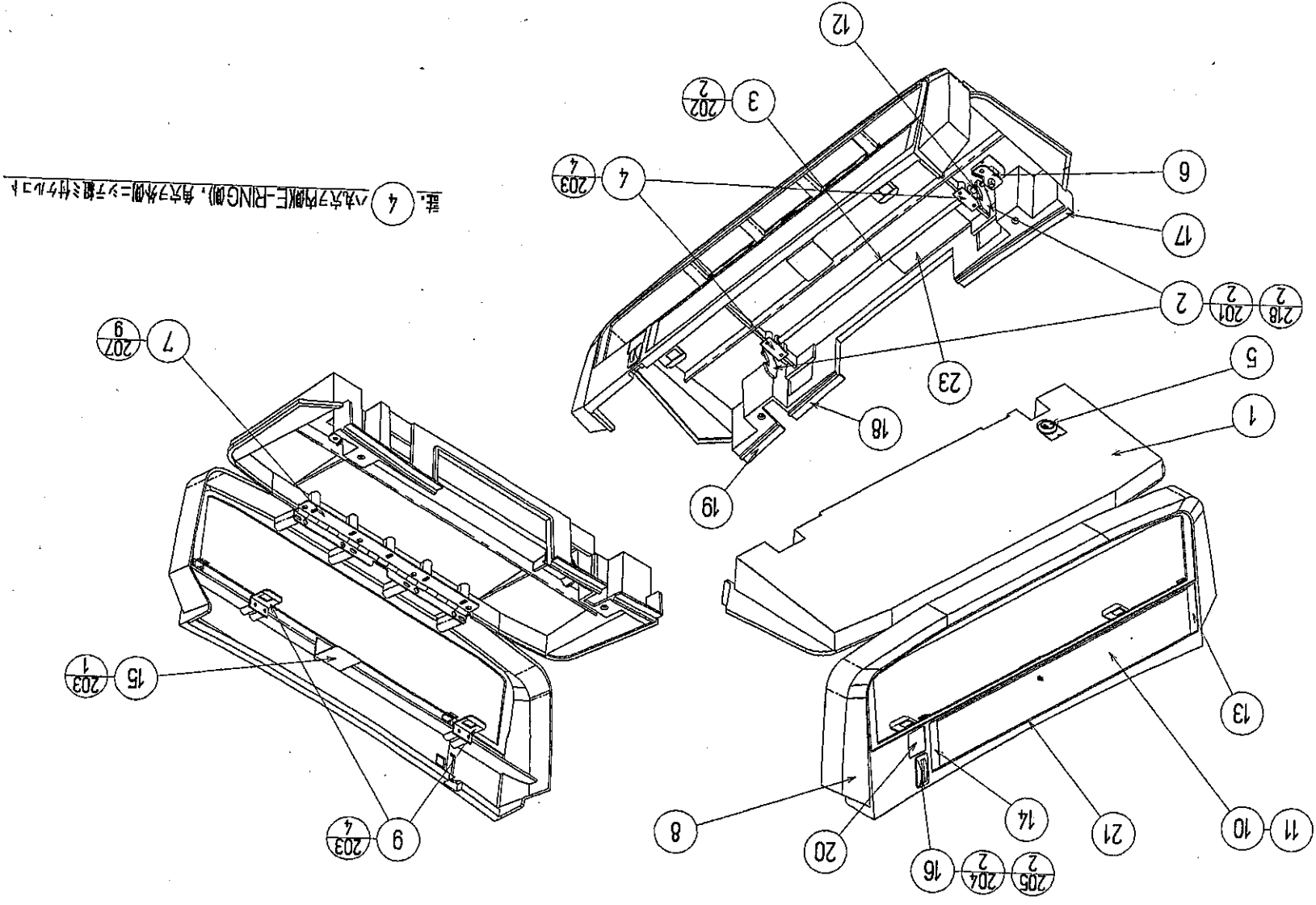
12 ASSY MASK (HOT-1400)



ITEM NO.	PART NO.	DESCRIPTION	NOTE
1	HOT-1401	MASK	
2	601-8725	CATCH M	
3	HOT-1402	PACKING L	
4	HOT-1403	PACKING S	
201	012-P00310	TAP SCR PH 3x10	

13 ASSY CONTROL BOX (HOT-1500)

(D-1/2)



⑬ ASSY CONTROL BOX (HOT-1500)

(D-2/2)

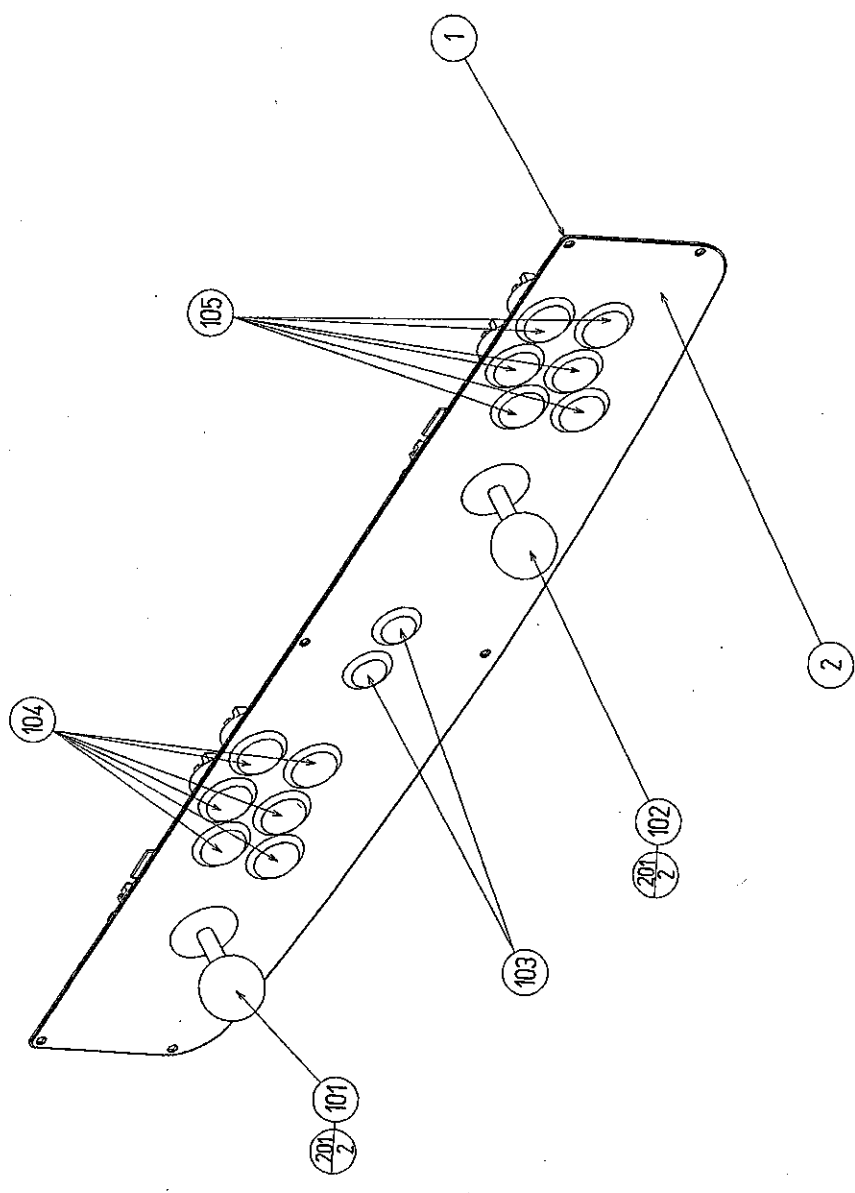
ITEM NO.	PART NO.	DESCRIPTION	NOTE
1	HOT-1501	CONTROL PANEL LOWER	
2	HOT-1520	LATCH	
3	HOT-1503	SHAFT	
4	HOT-1504	LATCH HOLDER	
5	220-5575	CAM LOCK MASTER W/O KEY	
6	HOT-1505	LKG TNG	
7	CAN-1055X	HINGE	
8	HOT-1506	CONTROL PANEL UPPER	
9	HOT-1507	LOCK BRKT	
10	HOT-1508	INSTRUCTION COVER	
11	HOT-1510	SHEET INST SPACE	
12	HOT-1511	TORSION SPRING	
13	HOT-1512X	LATCH INST COVER R	
14	HOT-1513X	LATCH INST COVER L	
15	HOT-1514	SERVICE SW PROTECTION	
16	220-5428-01	COIN ENTRY 100YEN	
17	HOT-1515	SPONGE A	
18	HOT-1516	SPONGE B	
19	HOT-1517	SPONGE C	
20	HOT-1518	STICKER DENOMI 100YEN FOR HOT	
21	HOT-1519	SPONGE D	
23	421-9169	STICKER SW INST	
101	280-5009-01	CORD CLAMP 21	
102	280-5275-SR10	CORD CLAMP SR10	
103	601-0460	PLASTIC TIE BELT 100MM	
201	050-H00600	HEX NUT M6	
202	065-E00600	E RING 6MM	
203	000-P00408-W	M SCR PH W/FS M4×8	
204	000-P00306	M SCR PH M3×6	
205	060-F00300	FLT WSHR M3	
207	000-T00408-0C	M SCR TH CRM M4×8	
208	060-S00600	SPR WSHR M6	
302	600-6738-26	WIRE HARN EARTH CONT PNL2	
303	600-6738-27	WIRE HARN EARTH CONT PNL EXT	

⑭ ASSY WIRE (HOT-1800)

この部品は配線を束ねたものです。組立図はありません。

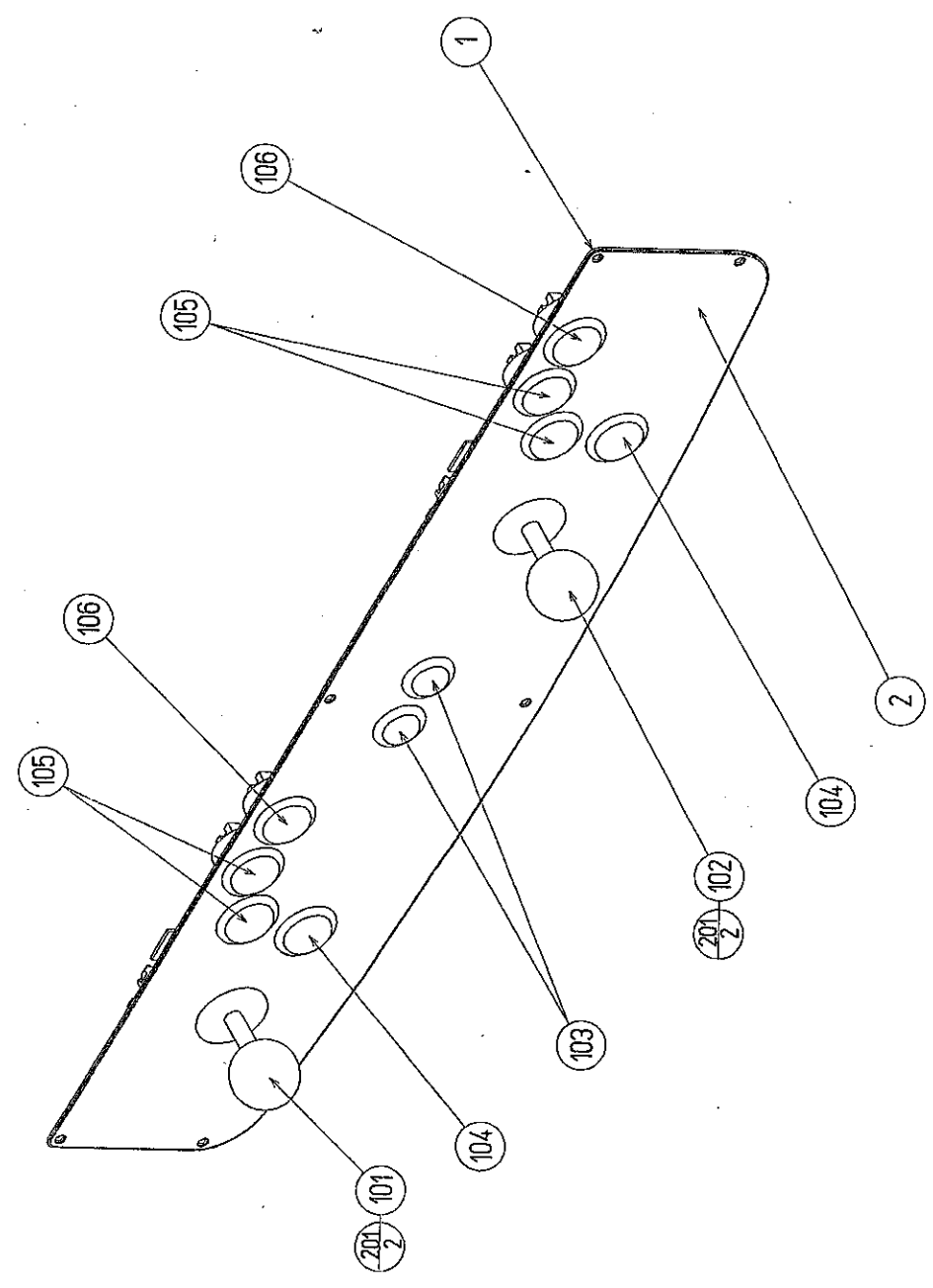
ITEM NO.	PART NO.	DESCRIPTION	NOTE
101	601-0460	PLASTIC TIE BELT 100MM	
301	600-6738-01	WIRE HARN MAIN	
302	600-6738-02	WIRE HARN COIN SW	
303	600-6738-08	WIRE HARN BILLBOARD EXT	
304	600-6738-28	WIRE HARN EARTH BILLBOARD	
305	600-6738-29	WIRE HARN EARTH COIN MECHA EXT	
306	600-6738-30	WIRE HARN EARTH COIN PNL	
307	600-6738-10	WIRE HARN JP	

⑮ ASSY CONTROL PANEL 2L12B (HOT-20003)



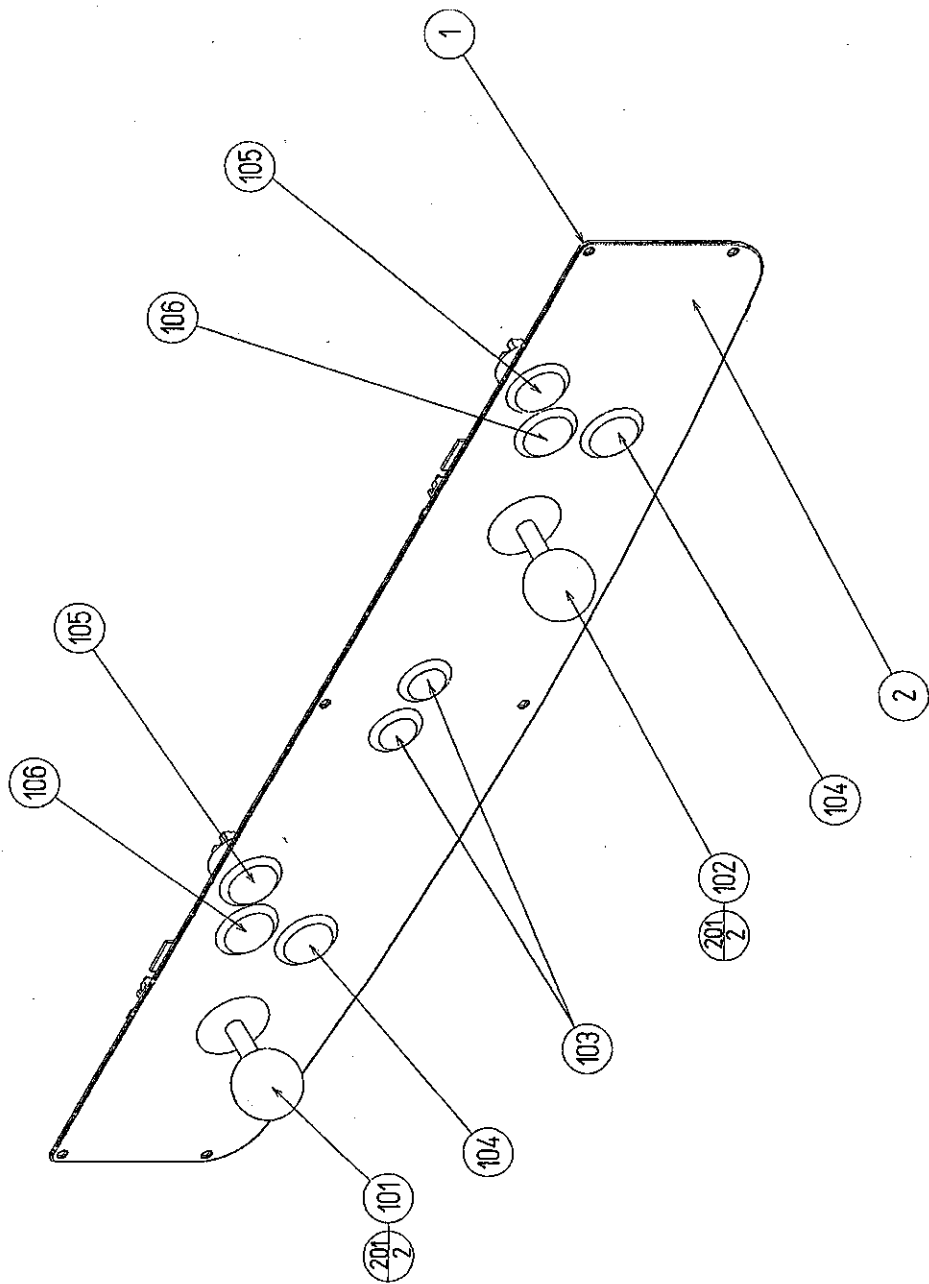
ITEM NO.	PART NO.	DESCRIPTION	NOTE
1	HOT-2005	CTRL PNL BASE 2L12B	
2	HOT-2006	CTRL PNL PLATE 2L12B	
101	610-0404-01	ASSY 8WAY JOYSTICK GREEN	
102	610-0429-01	ASSY 8WAY JOYSTICK GREEN	
103	610-0404-02	ASSY 8WAY JOYSTICK PINK	
104	610-0429-02	ASSY 8WAY JOYSTICK PINK	
105	509-5756-01	SW PB D24 YELLOW	
105	509-5755-01	SW PB D30 GREEN	
105	509-5755-02	SW PB D30 PINK	
107	280-5225	CORD CLAMP 21	
201	000-P00412-S	M SCR PH W/S M4x12	For 610-0404~
202	000-P00408-S	M SCR PH W/S M4x8	For 610-0429~
	050-F00400	FLG NUT M4	
301	600-6317-17	WIRE HARN CONT PNL 1P	
302	600-6317-18	WIRE HARN CONT PNL 2P	
303	600-6227-09	WIRE HARN CONT PNL EARTH	
304	600-6227-10	WIRE HARN CONT PNL 6B	

⑯ ASSY CONTROL PANEL 2L8B (HOT-20001)



ITEM NO.	PART NO.	DESCRIPTION	NOTE
1	HOT-2003	CTRL PNL BASE 2L8B	
2	HOT-2004	CTRL PNL PLATE 2L8B	
101	610-0404-01	ASSY 8WAY JOYSTICK GREEN	
102	610-0429-01	ASSY 8WAY JOYSTICK GREEN	
103	610-0404-02	ASSY 8WAY JOYSTICK PINK	
104	610-0429-02	ASSY 8WAY JOYSTICK PINK	
105	509-5756-01	SW PB D24 YELLOW	
105	509-5755-01	SW PB D30 GREEN	
106	509-5755-04	SW PB D30 YELLOW	
106	509-5755-05	SW PB D30 RED	
107	280-5009-01	CORD CLAMP 21	
201	000-P00412-S	M SCR PH W/S M4x12	For 610-0404~
202	000-P00408-S	M SCR PH W/S M4x8	For 610-0429~
	050-F00400	FLG NUT M4	
301	600-6776-001	WIRE HARN 2L8B 1P	
302	600-6776-002	WIRE HARN 2L8B 2P	
303	600-6776-003	WIRE HARN 2L8B EARTH	

17 ASSY CONTROL PANEL 2L6B (HOT-2000)



ITEM NO.	PART NO.	DESCRIPTION	NOTE
1	SAC-2001	PANEL BASE 2L6B	
2	HOT-2003	CTRL PNL PLATE 2L6B	
101	610-0404-01	ASSY 8WAY JOYSTICK GREEN	
102	610-0404-02	ASSY 8WAY JOYSTICK PINK	
103	509-5756-01	SW PB D24 YELLOW	
104	509-5755-01	SW PB D30 GREEN	
105	509-5755-02	SW PB D30 PINK	
106	509-5755-03	SW PB D30 CYAN	
107	280-5009-01	CORD CLAMP 21	
108	601-0460	PLASTIC TIE BELT 100MM	
201	000-F00412-S	M SCR PH W/S M4x12	
202	050-F00400	FLG NUT M4	
301	600-6317-17	WIRE HARN CONT PNL 1P	
302	600-6317-18	WIRE HARN CONT PNL 2P	
303	600-6227-09	WIRE HARN CONT PNL EARTH	