

TAITO®

EGGRET 3™

TAITO UNIVERSAL GAME CABINET

イーグレット3

取扱説明書

▲ 注意

- ・本製品を安全に正しく使用していただくために、使用前に必ず本書をお読みいただき、十分に理解してください。
- ・本書は、お読みになった後、いつでも使用できるように必ず所定の場所に保管してください。

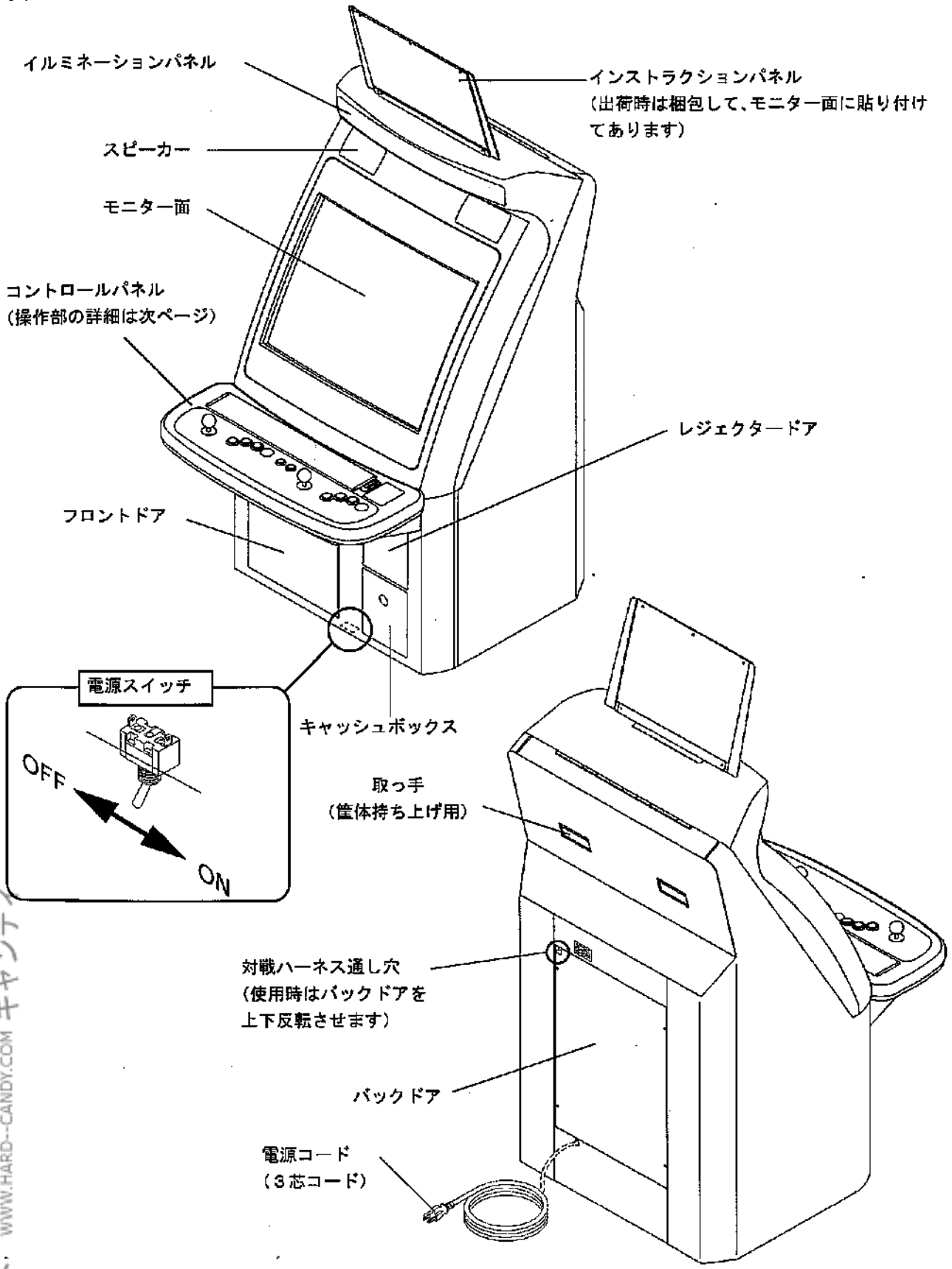
株式会社 **タイトー**®

G2002302A

HARD CANDY
WWW.HARD-CANDY.COM キャンデー
ハード

製品概要

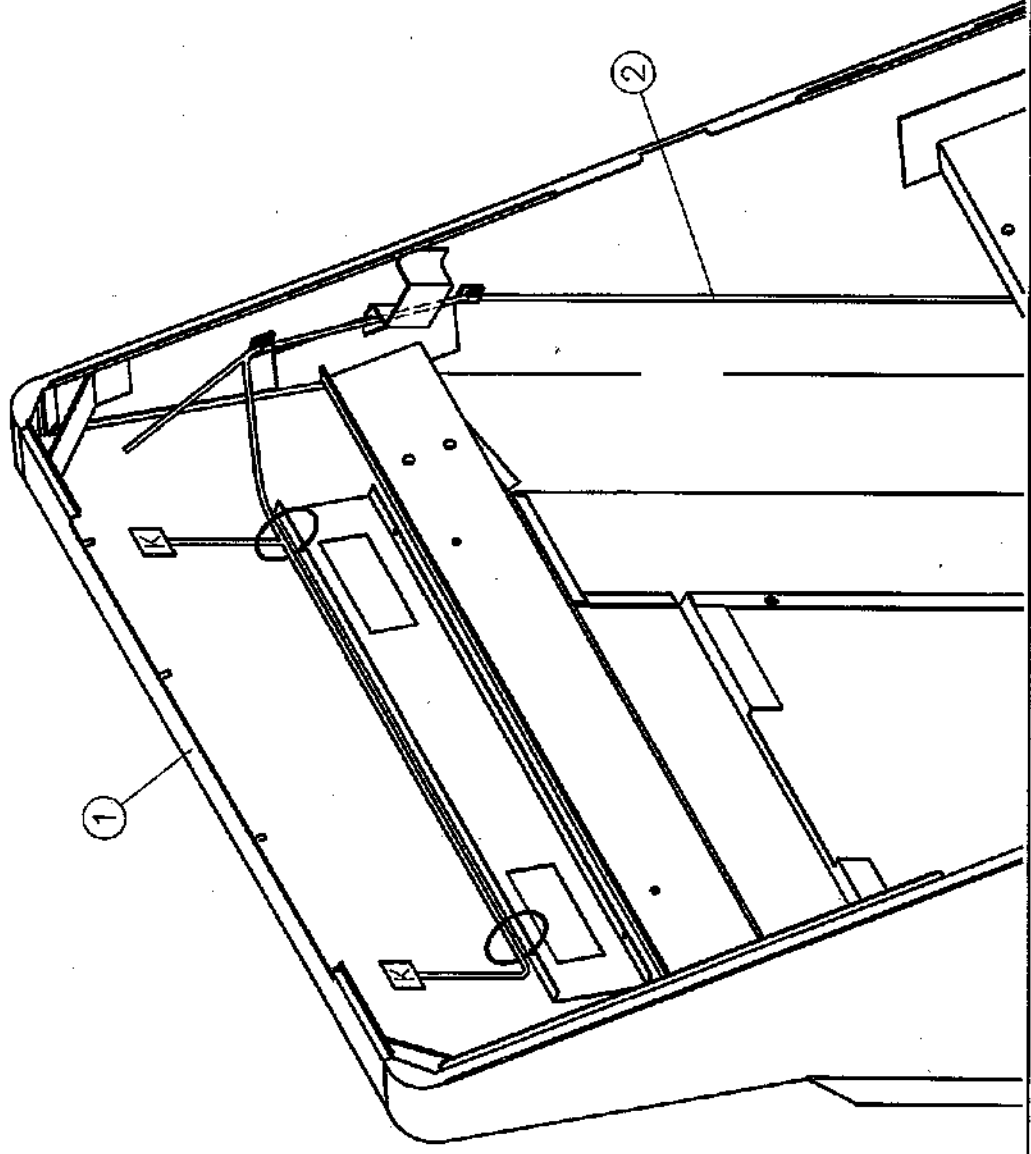
各部の名称



1
1
1
1
2
2
2
3
7
8
9
9
10
10
11
11
12
12
13
13
16
17
18
19
21
22
22
24
25
28
31
32
33
33
35
37
37
39
47
52
60
60
61
61
63

WWW.HARD-CANDY.COM
ハードキャンディ

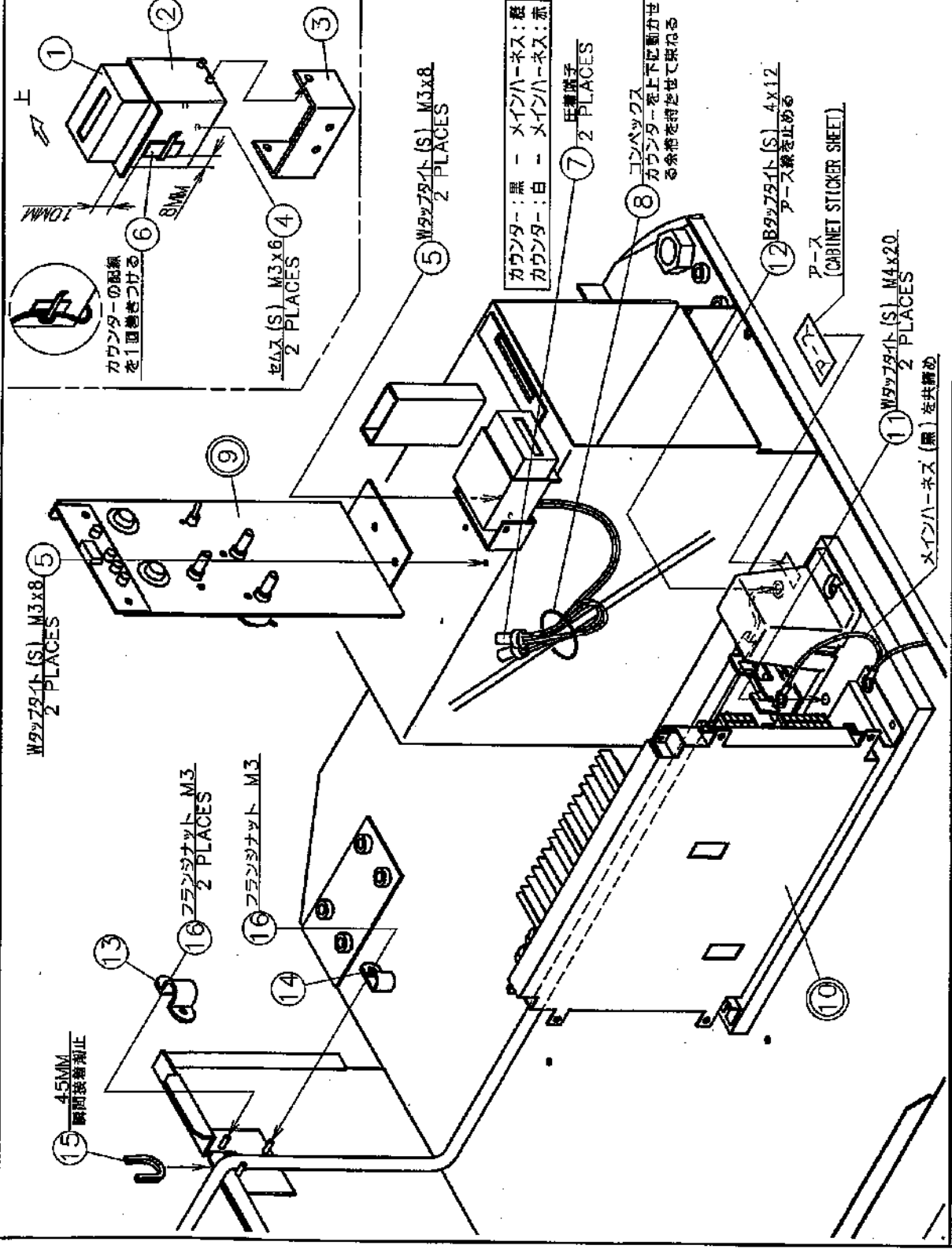
| PARTS LIST | | |
|------------|--------------------------------|-----|
| No. | PARTS No. | QTY |
| 1 | E3100880B CABINET-(WITH PARTS) | 1 |
| 2 | L1000388A MAIN HARNESS | 1 |
| 3 | | |
| 4 | | |
| 5 | | |
| 6 | | |
| 7 | | |
| 8 | | |
| 9 | | |
| 10 | | |
| 11 | | |
| 12 | | |
| 13 | | |
| 14 | | |
| 15 | | |
| 16 | | |
| 17 | | |
| 18 | | |
| 19 | | |
| 20 | | |
| 21 | | |
| 22 | | |
| 23 | | |
| 24 | | |
| 25 | | |



NOTE

TITLE CABINET ASSY-(MAIN)

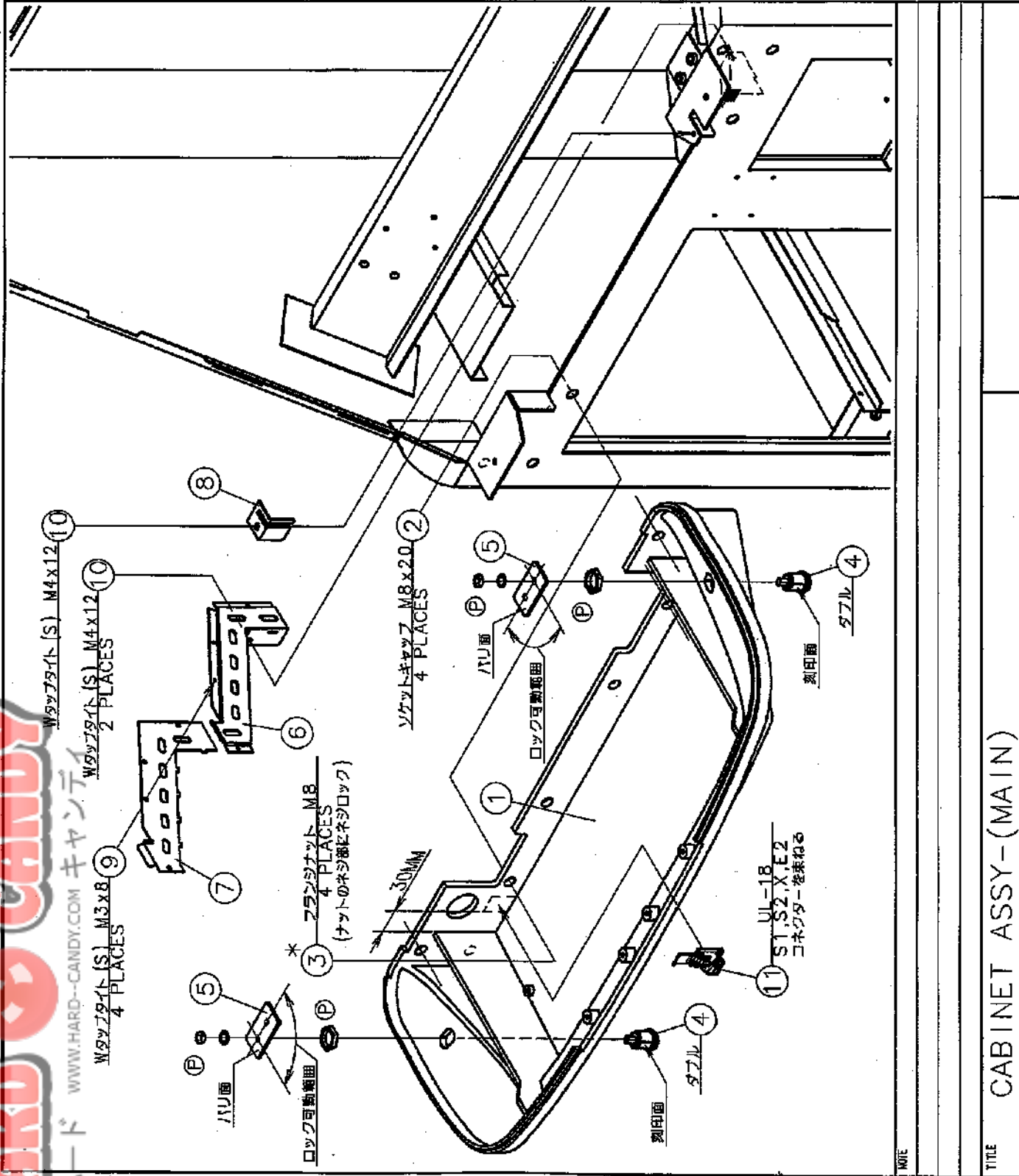
| PARTS LIST | | |
|------------|--|-----|
| No. | PARTS No. | QTY |
| 1 | C1700054B COUNTER-(DC 5V) NK-08R054 | 1 |
| 2 | F9004275B COUNTER COVER | 1 |
| 3 | F9004276B COUNTER HOLDER | 1 |
| 4 | PHI NO SCREW-S-(CHROMATE) M3X8 | 2 |
| 5 | WASHER HD TIP TIGHT-S-(CHROMATE) JIS B | 4 |
| 6 | H9000313A PETTLEPE SD10 | 1 |
| 7 | C00601005A TERMINAL & CONNECTOR-S-(12A) CE-2 | 2 |
| 8 | F0100028A CONVEX-(CV-100) SKG-100 | 1 |
| 9 | M9005842A CENTRAL CONTROL ASSY | 1 |
| 10 | M9005845A ELECTRIC BASE ASSY | 1 |
| 11 | WASHER HD TIP TIGHT-S-(CHROMATE) 4X12 | 2 |
| 12 | BIND HD TIP TIGHT-S-(CHROMATE) 4X12 | 1 |
| 13 | F9000048A CORD STOP P-1 | 1 |
| 14 | F0100003A NYLON CRAMP NK-4N | 1 |
| 15 | F9003414A NYLON GROMMET NKG-024 0.045 | 1 |
| 16 | FLANGE NUT-(CHROMATE) M3 | 3 |
| 17 | | |
| 18 | | |
| 19 | | |
| 20 | | |
| 21 | | |
| 22 | | |
| 23 | | |
| 24 | | |
| 25 | | |



NOTE

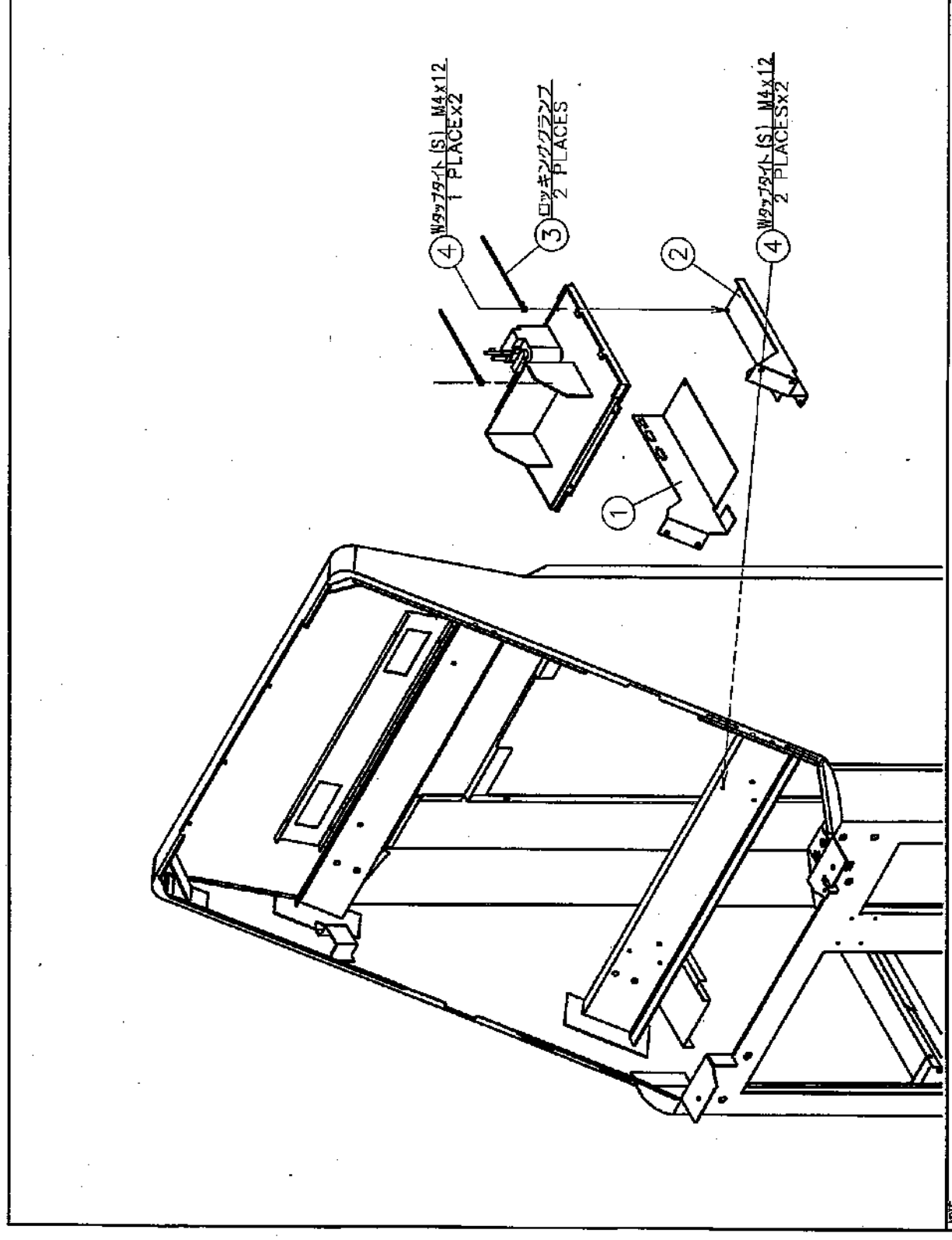
TITLE CABINET ASSY-(MAIN)

| PARTS LIST | | QTY |
|------------|---------------------------------------|-----|
| 1 | F9004274A CONTROL BASE | 1 |
| 2 | SOCKET CAP BOLT-(TEMPER) M8X20 | 4 |
| 3 | FLANGE NUT-(CHROMATE) M8 | 4 |
| 4 | E5000634A LOCK-ROCKING PLATE-(LY1153) | 2 |
| 5 | E3013279A LOCK PLATE 2 | 2 |
| 6 | E3013207A COIN CHUTE A | 1 |
| 7 | E3013208A COIN CHUTE B | 1 |
| 8 | E3013209A CHUTE SUPPORT | 1 |
| 9 | WASHER HD TAP TIGHT-S 3XB | 4 |
| 10 | WASHER HD TAP TIGHT-S 4X12 | 3 |
| 11 | F0100025A UL CRAMP UL-18 | 1 |
| 12 | | |
| 13 | | |
| 14 | | |
| 15 | | |
| 16 | | |
| 17 | | |
| 18 | | |
| 19 | | |
| 20 | | |
| 21 | | |
| 22 | | |
| 23 | | |
| 24 | | |
| 25 | | |



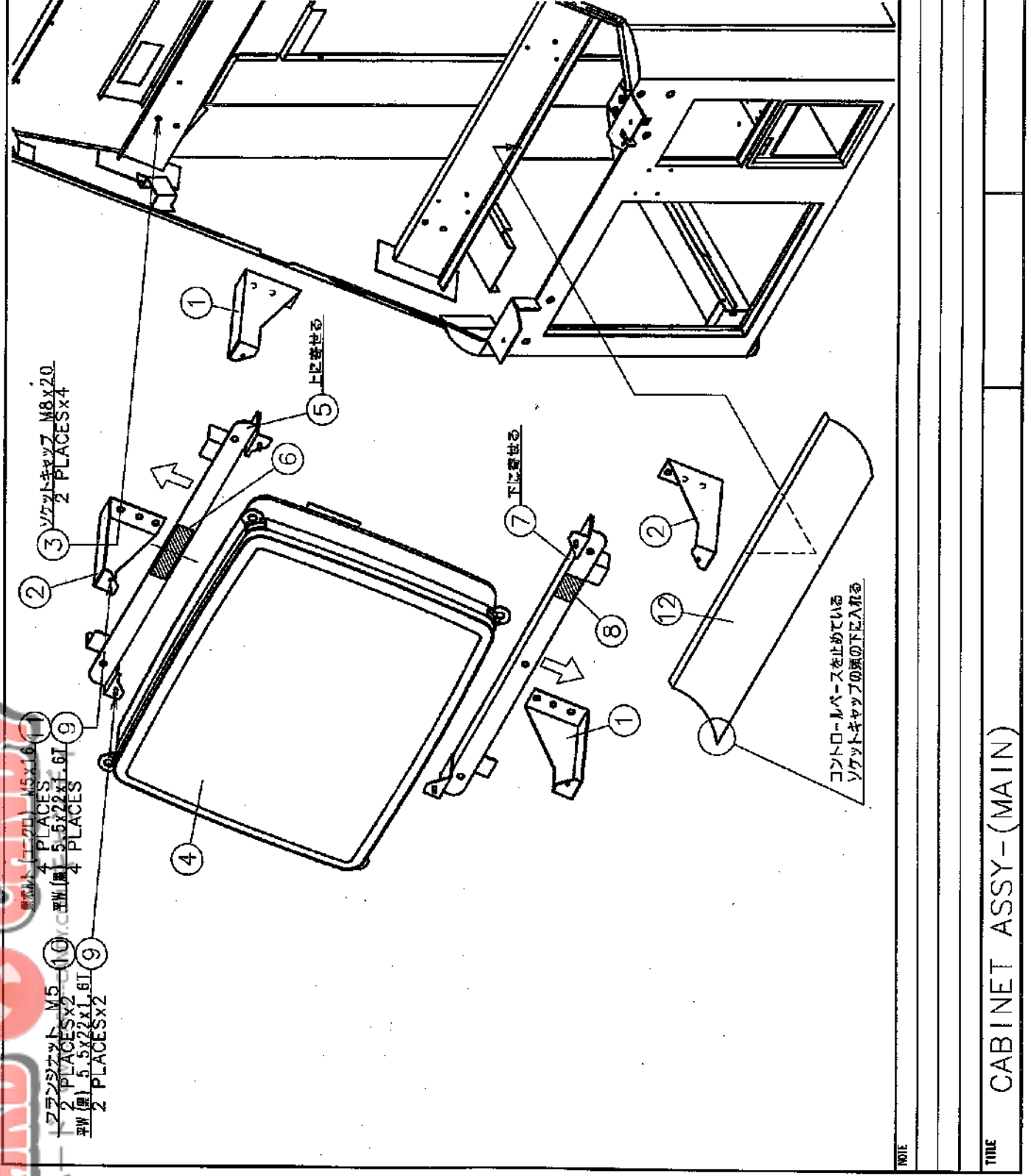
TITLE CABINET ASSY-(MAIN)

| PARTS LIST | | QTY |
|------------|---------------------------------------|-----|
| 1 | E3016637A CIRCUIT BRACKET-L | 1 |
| 2 | E3016638A CIRCUIT BRACKET-R | 1 |
| 3 | F0100031A LOCKING CRAMP SKB-14SF | 2 |
| 4 | WASHER HD TAP TIGHT-S-(CHROMATE) 4X12 | 6 |
| 5 | | |
| 6 | | |
| 7 | | |
| 8 | | |
| 9 | | |
| 10 | | |
| 11 | | |
| 12 | | |
| 13 | | |
| 14 | | |
| 15 | | |
| 16 | | |
| 17 | | |
| 18 | | |
| 19 | | |
| 20 | | |
| 21 | | |
| 22 | | |
| 23 | | |
| 24 | | |
| 25 | | |



TITLE CABINET ASSY-(MAIN)

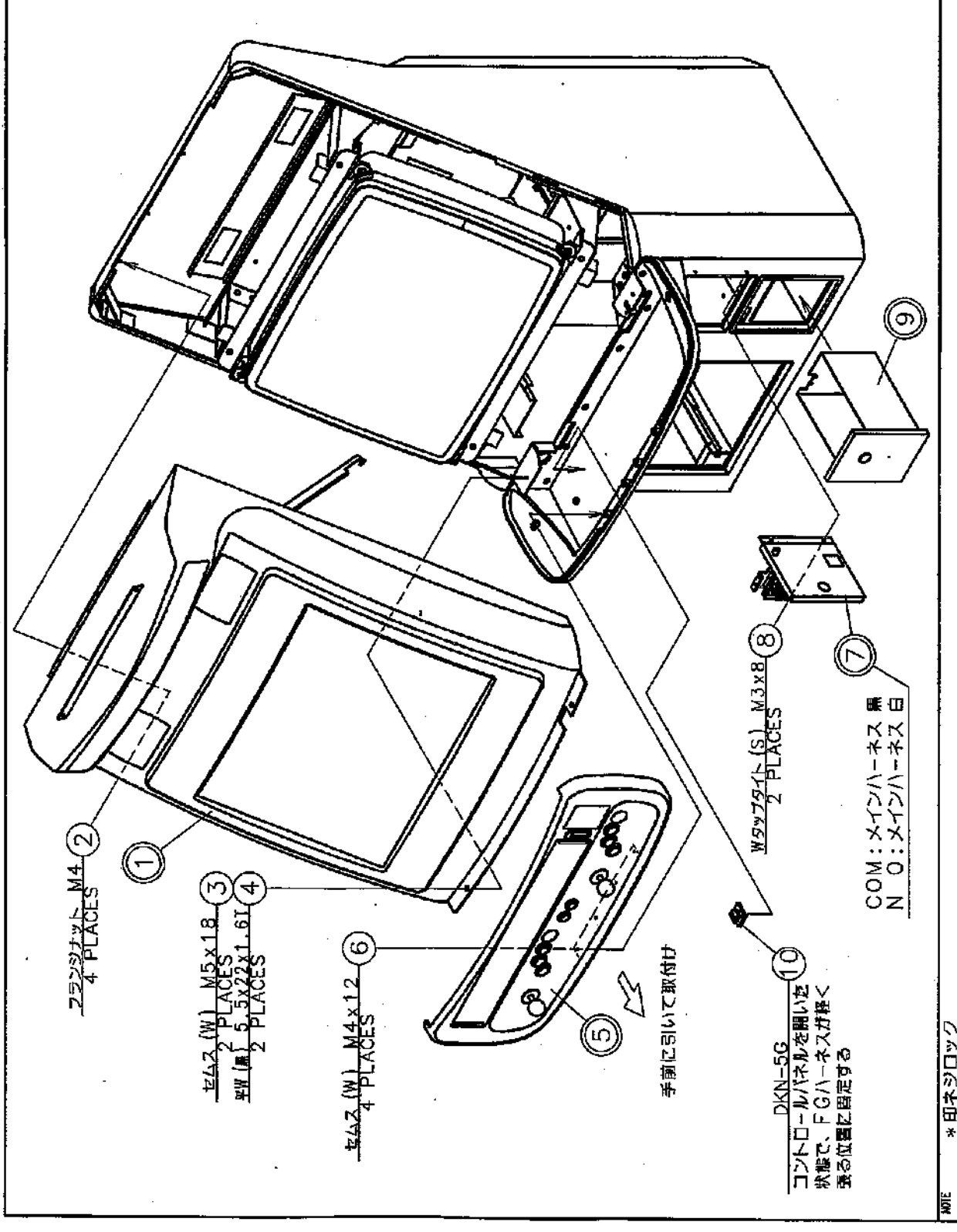
| PARTS LIST | | | |
|------------|-----------|----------------------------------|-----|
| No | PARTS No. | PARTS LIST | QTY |
| 1 | E3016633B | VIDEO SUPPORT-L | 2 |
| 2 | E3016634B | VIDEO SUPPORT-R | 2 |
| 3 | M1100044A | VIDEO ASSY (2.5X22X1.6T) | 8 |
| 4 | E3016635A | MONITOR FRAME-T | 1 |
| 5 | G1001881A | WARNING STICKER | 1 |
| 6 | E3016636A | MONITOR FRAME-B | 1 |
| 7 | X0002028A | CAUTION STICKER (BLACK CHROMATE) | 1 |
| 8 | | PLAIN WASHER (BLACK CHROMATE) | 8 |
| 9 | | FLANGE NUT-(CHROMATE) M5 | 4 |
| 10 | | WING BOLT-(UNI CHRD) M5X16 | 4 |
| 11 | F9004347A | WATER COVER | 1 |
| 12 | | | |
| 13 | | | |
| 14 | | | |
| 15 | | | |
| 16 | | | |
| 17 | | | |
| 18 | | | |
| 19 | | | |
| 20 | | | |
| 21 | | | |
| 22 | | | |
| 23 | | | |
| 24 | | | |
| 25 | | | |



TITLE CABINET ASSY-(MAIN)

NOTE

| PARTS LIST | | | |
|------------|-----------|-------------------------------|-----|
| No | PARTS No. | PARTS LIST | QTY |
| 1 | M8005843A | FRONT PANEL ASSY | 1 |
| 2 | | FLANGE NUT-(CHROMATE) M4 | 4 |
| 3 | | PAN HD SEMUTH SCREW-W M5X18 | 2 |
| 4 | | PLAIN WASHER (黒) 5.5X22X1.6T | 2 |
| 5 | M8005844A | CONTROL PANEL BASE ASSY-(288) | 1 |
| 6 | | PAN HD SEMUTH SCREW-W M4X12 | 4 |
| 7 | M0500380A | REJECTOR DOOR ASSY | 1 |
| 8 | | WASHER HD TAP TIGHT-S 3X8 | 2 |
| 9 | M0400140A | CASH BOX ASSY-(WITH ALARM) | 1 |
| 10 | F0100089A | DK CRAMP-(17.5X19) DKN-5G | 1 |
| 11 | | | |
| 12 | | | |
| 13 | | | |
| 14 | | | |
| 15 | | | |
| 16 | | | |
| 17 | | | |
| 18 | | | |
| 19 | | | |
| 20 | | | |
| 21 | | | |
| 22 | | | |
| 23 | | | |
| 24 | | | |
| 25 | | | |

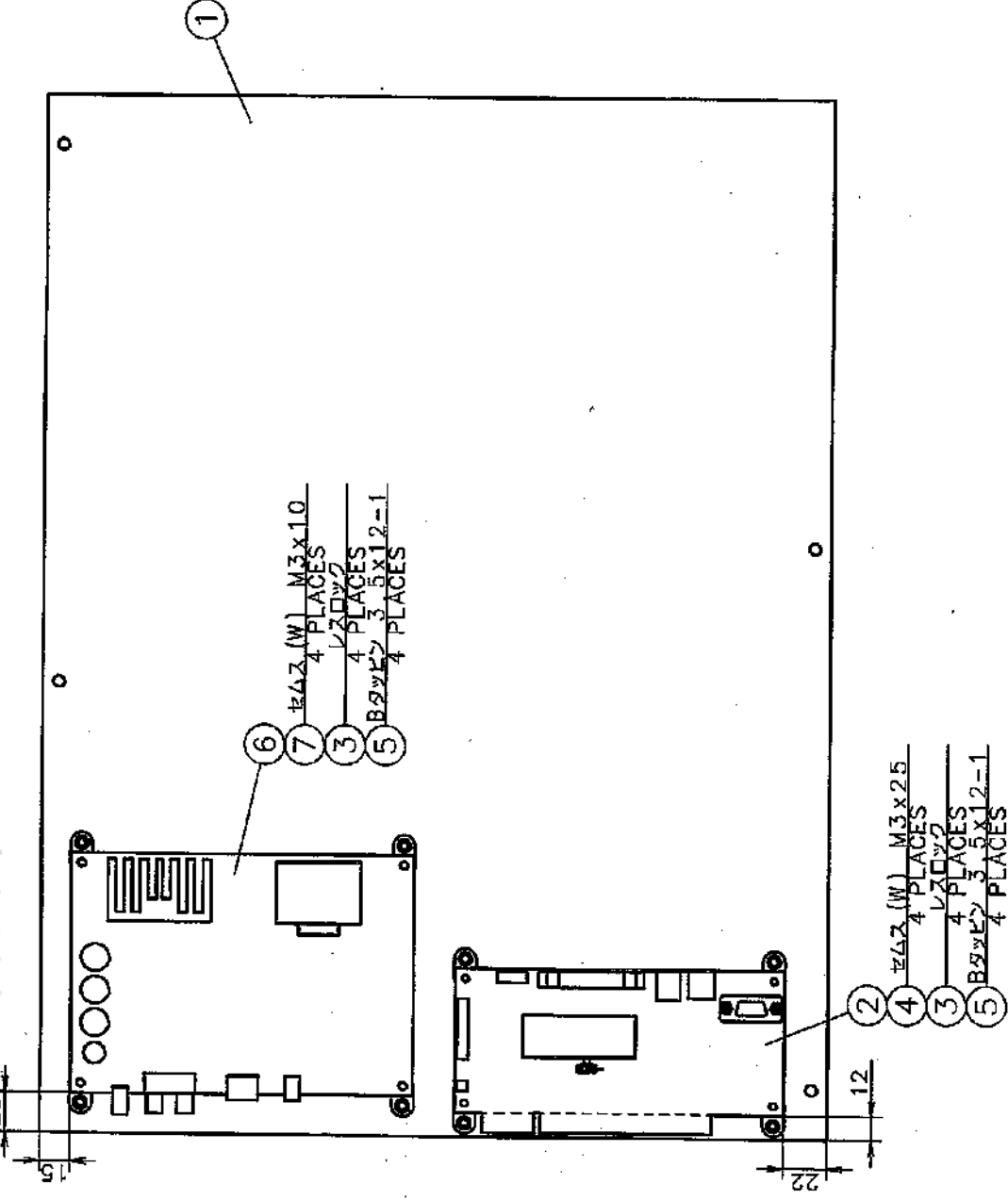


TITLE CABINET ASSY-(MAIN)

NOTE

* 田ネシロック

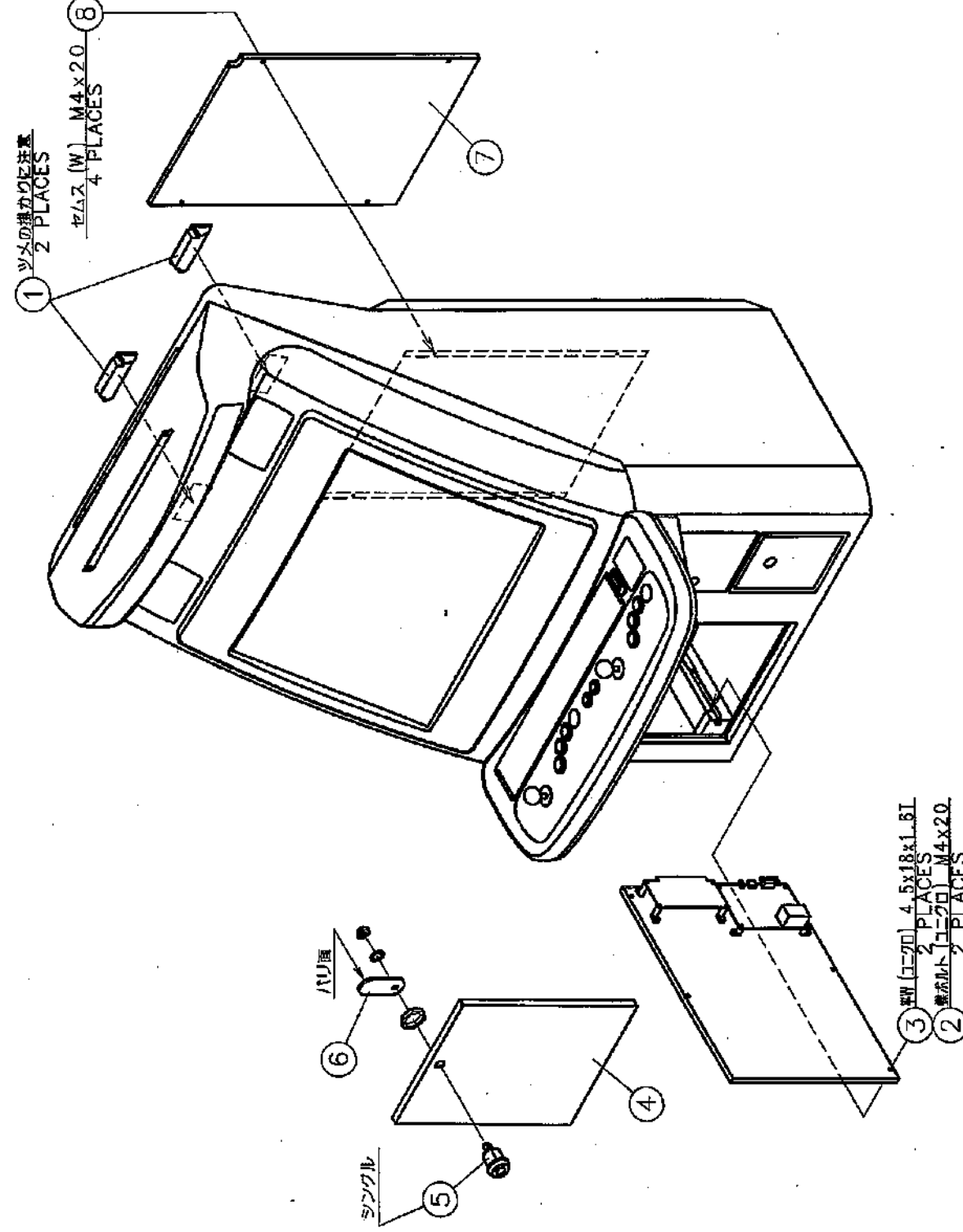
| PARTS LIST | | |
|------------|--|-----|
| No | PARTS No. | QTY |
| 1 | D2001859A PCB BASE | 1 |
| 2 | K91X0957A 1/2 HD J/S TO JAMA 838-13683 | 1 |
| 3 | F9000668A RES LOCK OL-E3 | 8 |
| 4 | PAN HD SEMUTH SCREW-W MAX25 | 4 |
| 5 | BING HD SELF TAP 3.5X12-1 | 8 |
| 6 | K91X0958A AMP P.C.B. ASSY | 1 |
| 7 | PAN HD SEMUTH SCREW-W MAX10 | 4 |
| 8 | | |
| 9 | | |
| 10 | | |
| 11 | | |
| 12 | | |
| 13 | | |
| 14 | | |
| 15 | | |
| 16 | | |
| 17 | | |
| 18 | | |
| 19 | | |
| 20 | | |
| 21 | | |
| 22 | | |
| 23 | | |
| 24 | | |
| 25 | | |



NOTE

TITLE CABINET ASSY-(MAIN)

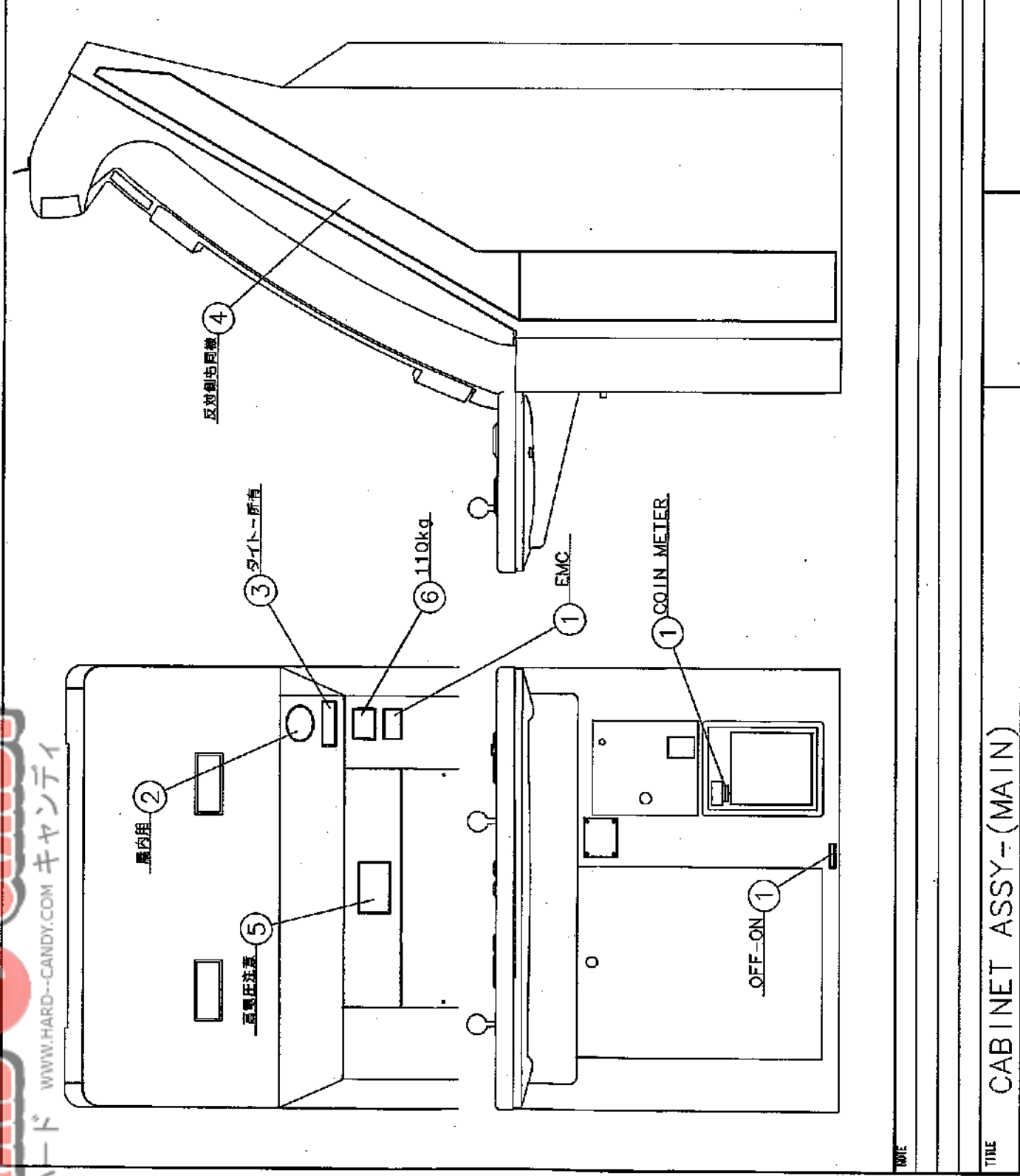
| PARTS LIST | | |
|------------|---------------------------------|-----|
| No | PARTS No. | QTY |
| 1 | F9004293A PULL THA-241-1-0D4030 | 2 |
| 2 | WING BOLT-(UNICHRD) MAX20 | 2 |
| 3 | PLAIN WASHER-(UNICHRD) 4.5X18.1 | 2 |
| 4 | E3013145B FRONT DOOR | 1 |
| 5 | E5000630A ねじ (W) M4x20 (5.115) | 1 |
| 6 | E3000009A LOCK PLATE | 1 |
| 7 | D2001838B BACK DOOR | 1 |
| 8 | PAN HD SEMUTH SCREW-W MAX20 | 4 |
| 9 | | |
| 10 | | |
| 11 | | |
| 12 | | |
| 13 | | |
| 14 | | |
| 15 | | |
| 16 | | |
| 17 | | |
| 18 | | |
| 19 | | |
| 20 | | |
| 21 | | |
| 22 | | |
| 23 | | |
| 24 | | |
| 25 | | |



NOTE

TITLE CABINET ASSY-(MAIN)

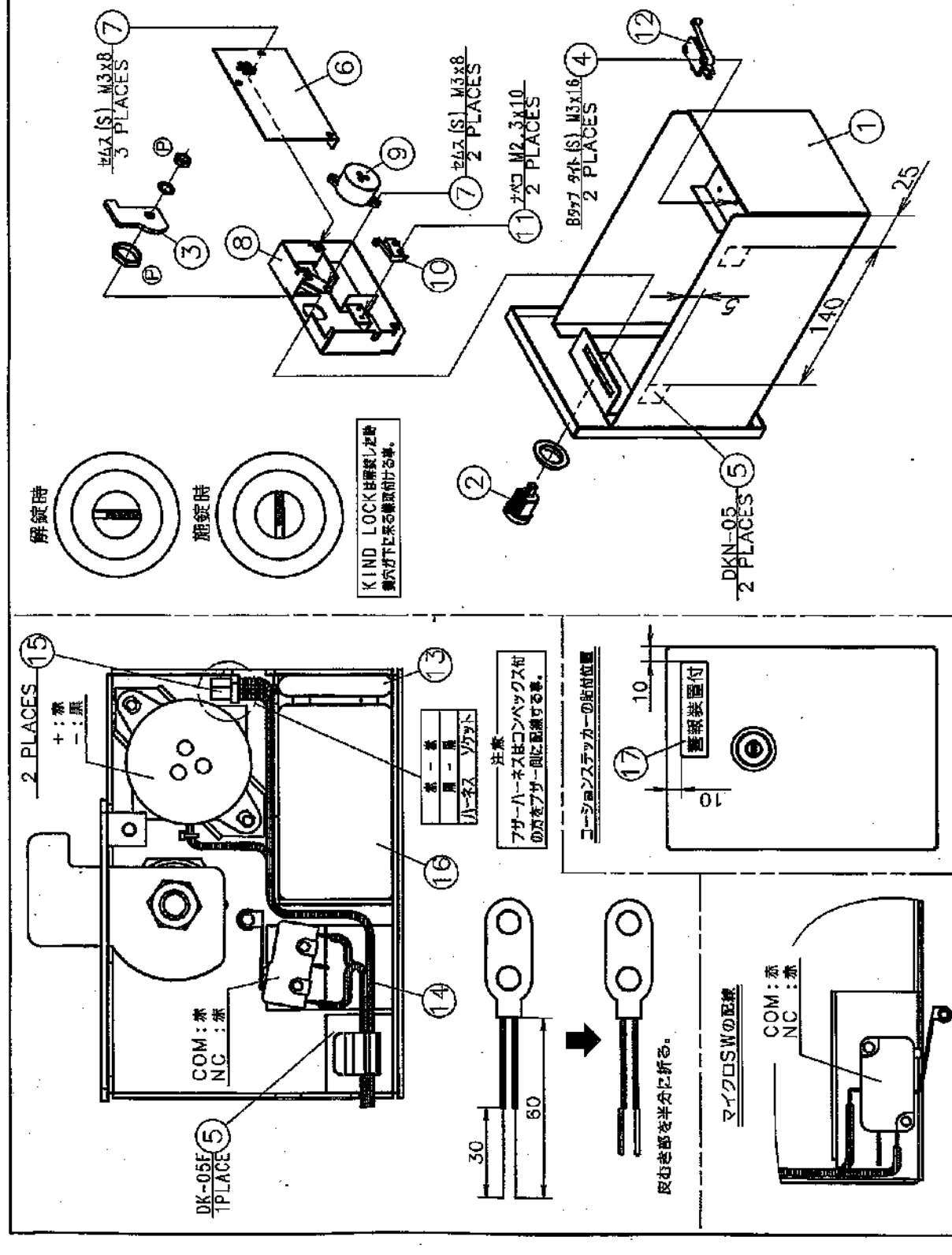
| PARTS LIST | | QTY |
|------------|-----------|-------------------------------------|
| No. | PARIS No. | PARIS LIST |
| 1 | G1001714B | CABINET STICKER SHEET-(VER.3) 1 |
| 2 | G1000211A | IN DOOR USE STICKER 扉内用 1 |
| 3 | G1010020C | IN DOOR POSSESSION STICKER タイム-警告 1 |
| 4 | G1502045A | BODY STICKER SHEET 1 |
| 5 | G1001389B | VOLTAGE WARNING STICKER 1 |
| 6 | X0002029A | WEIGHT STICKER 110KG 1 |
| 7 | | |
| 8 | | |
| 9 | | |
| 10 | | |
| 11 | | |
| 12 | | |
| 13 | | |
| 14 | | |
| 15 | | |
| 16 | | |
| 17 | | |
| 18 | | |
| 19 | | |
| 20 | | |
| 21 | | |
| 22 | | |
| 23 | | |
| 24 | | |
| 25 | | |



TITLE CABINET ASSY-(MAIN)

NOTE

| PARTS LIST | | QTY |
|------------|------------|--------------------------------------|
| No. | PARIS No. | PARIS LIST |
| 1 | E3100681A | CASH BOX 1 |
| 2 | E5000632A | KIND LOCK-(LARGE RING) 扉用 1 |
| 3 | E3015104A | LOCK PLATE-(Z LOCK) 1 |
| 4 | | BIND HD TAP TIGHT(S) M3x16 2 |
| 5 | F0100069A | DK GRAMP DKN-5G 3 |
| 6 | E3013274B | BUZZER COVER (S) 1 |
| 7 | | PAN HD SEMIHT SCREW(S) M3x8 5 |
| 8 | E3013734C | BUZZER BOX-S 1 |
| 9 | C1300020A | BUZZER EFEC28C11 1 |
| 10 | C0200183A | MICRO SWITCH SS-SGL 2 1 |
| 11 | | PAN HD SCREW M2.3x10 2 |
| 12 | C0200617A | MICRO SWITCH AMS0646C3 1 |
| 13 | C1900086A | BATTERY SOCKET-(DSV) BS-IC(L-120) 1 |
| 14 | L19003765A | BUZZER HARNESS 1 |
| 15 | C0601005A | TERMINAL & CONNECTOR 2 |
| 16 | C1900015A | BATTERY-(9V) 6F22 (JIS) 1 |
| 17 | G1001325A | CAUTION STICKER-(VER.2) ALARM UNIT 1 |
| 18 | | |
| 19 | | |
| 20 | | |
| 21 | | |
| 22 | | |
| 23 | | |
| 24 | | |
| 25 | | |

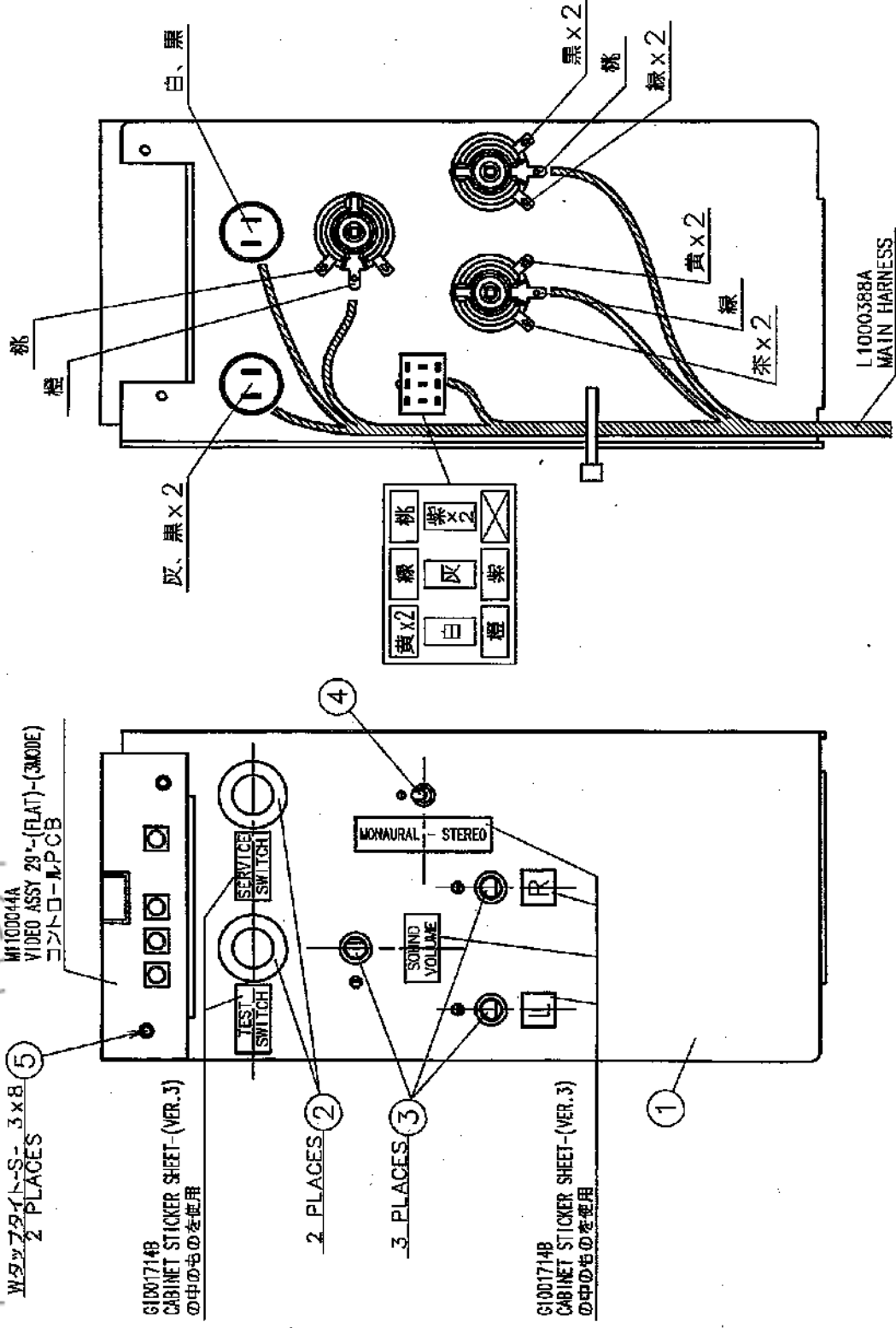


NOTE

TITLE CASH BOX-(WITH ALARM) & ALARM ASSY

WWW.HARD-CANDY.COM キャンディ
 M10004A
 VIDEO ASSY 29"-[FLAT]-(3MODE)
 コントロ-PCB

| PARTS LIST | | | |
|------------|------------|-----------------------------------|---|
| No | PARTS No. | QTY | |
| 1 | E3016632A | CENTRAL BRACKET | 1 |
| 2 | C0200313A | PUSH SWITCH-2P DS-412 | 2 |
| 3 | A2106601A | VARI.RES.WIRE RFL0420F 100 OHM RK | 3 |
| 4 | C02000531A | TOGGLE SWITCH 3T301D SAGAMI | 1 |
| 5 | | WASHER HD TAP TIGHT-S- 3X8 | 2 |
| 6 | | | |
| 7 | | | |
| 8 | | | |
| 9 | | | |
| 10 | | | |
| 11 | | | |
| 12 | | | |
| 13 | | | |
| 14 | | | |
| 15 | | | |
| 16 | | | |
| 17 | | | |
| 18 | | | |
| 19 | | | |
| 20 | | | |
| 21 | | | |
| 22 | | | |
| 23 | | | |
| 24 | | | |
| 25 | | | |



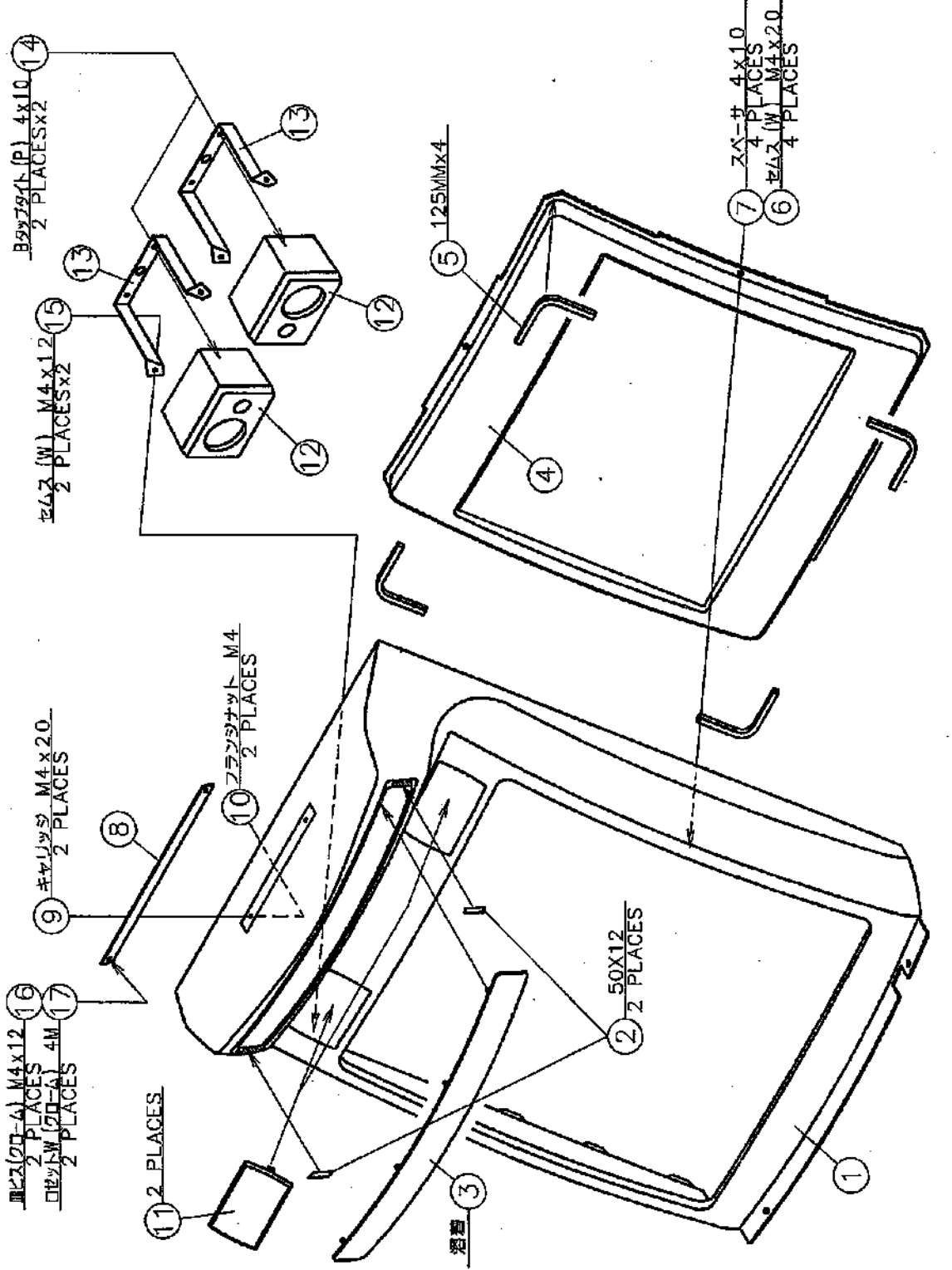
NOTE

TITLE CENTRAL CONTROL ASSY

NOTE

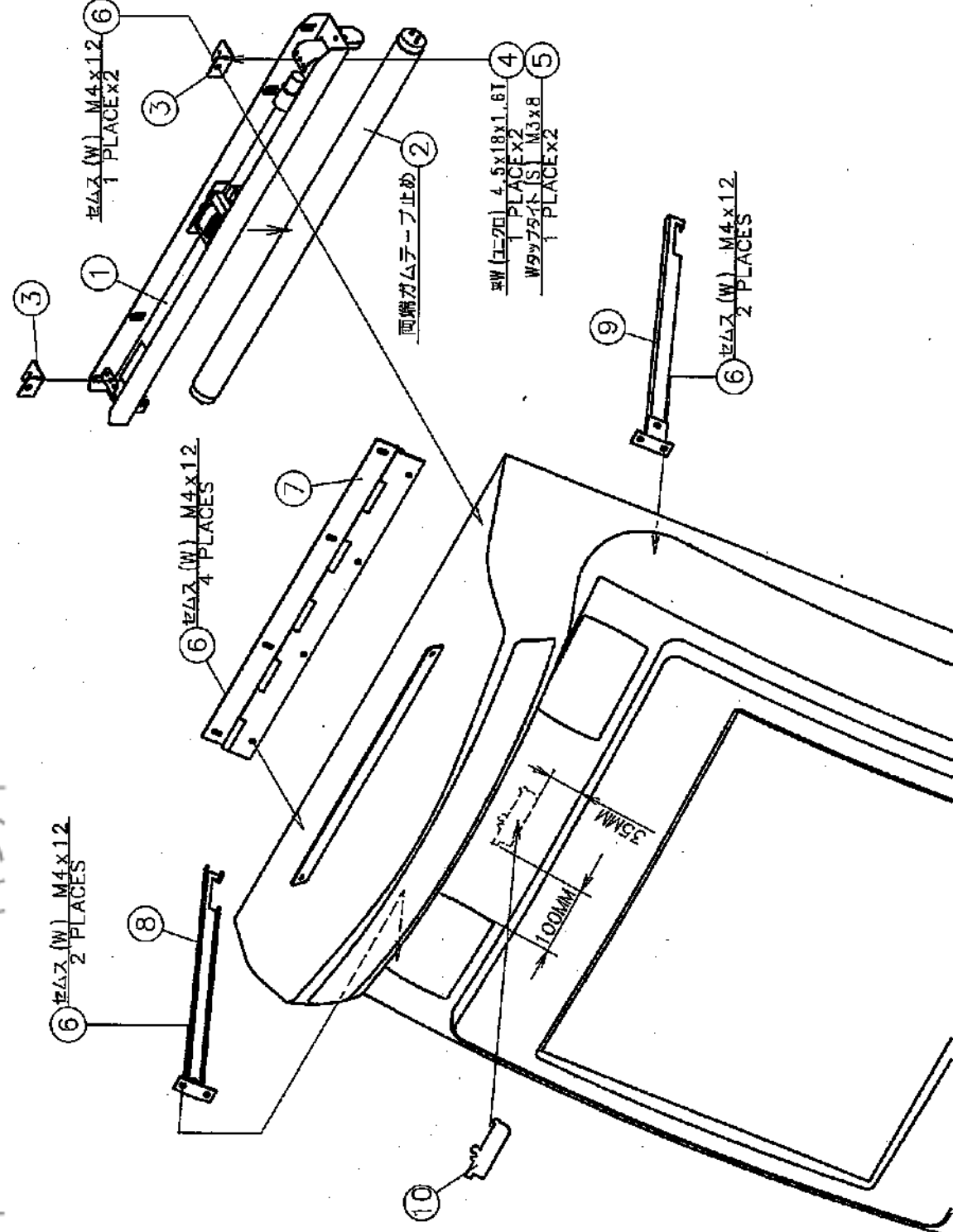
TITLE FRONT PANEL ASSY

| PARTS LIST | | | |
|------------|-----------|--------------------------------------|---|
| No | PARTS No. | QTY | |
| 1 | F9004271B | FRONT PANEL | 1 |
| 2 | | DOUBLE FACE TAPE T0571(NITONS) 0.024 | |
| 3 | G9501248A | ILLUMINATION PANE | 1 |
| 4 | F9005843A | VIDEO MASK | 1 |
| 5 | F9004292A | VIDEO SPONGE 1025X8X5 | 1 |
| 6 | | PAN HD SOUTH SCREW-W MAX20 | 4 |
| 7 | | SPACER-(CHROMATE) 4X10 | 4 |
| 8 | E30133B2A | INSTRUCTION STAND A | 1 |
| 9 | | CARRIAGE BOLT-(CHROME) MAX20 | 2 |
| 10 | | FLANGE NUT-(CHROME) M4 | 2 |
| 11 | E3013210A | SPEAKER COVER | 2 |
| 12 | M1000287A | SPEAKER MINI BOX SYSTEM FZ7A70-1T | 2 |
| 13 | E3013211A | SPEAKER BOX BRACKET | 2 |
| 14 | | BIND HD TAP TIGHT-P 4X10 | 4 |
| 15 | | PAN HD SOUTH SCREW-W MAX12 | 4 |
| 16 | | G SINK HD SCREW-(CHROME) MAX12 | 2 |
| 17 | | ROSETTE WASHER-(CHROME) 4 | 4 |
| 18 | | | |
| 19 | | | |
| 20 | | | |
| 21 | | | |
| 22 | | | |
| 23 | | | |
| 24 | | | |
| 25 | | | |



NOTE

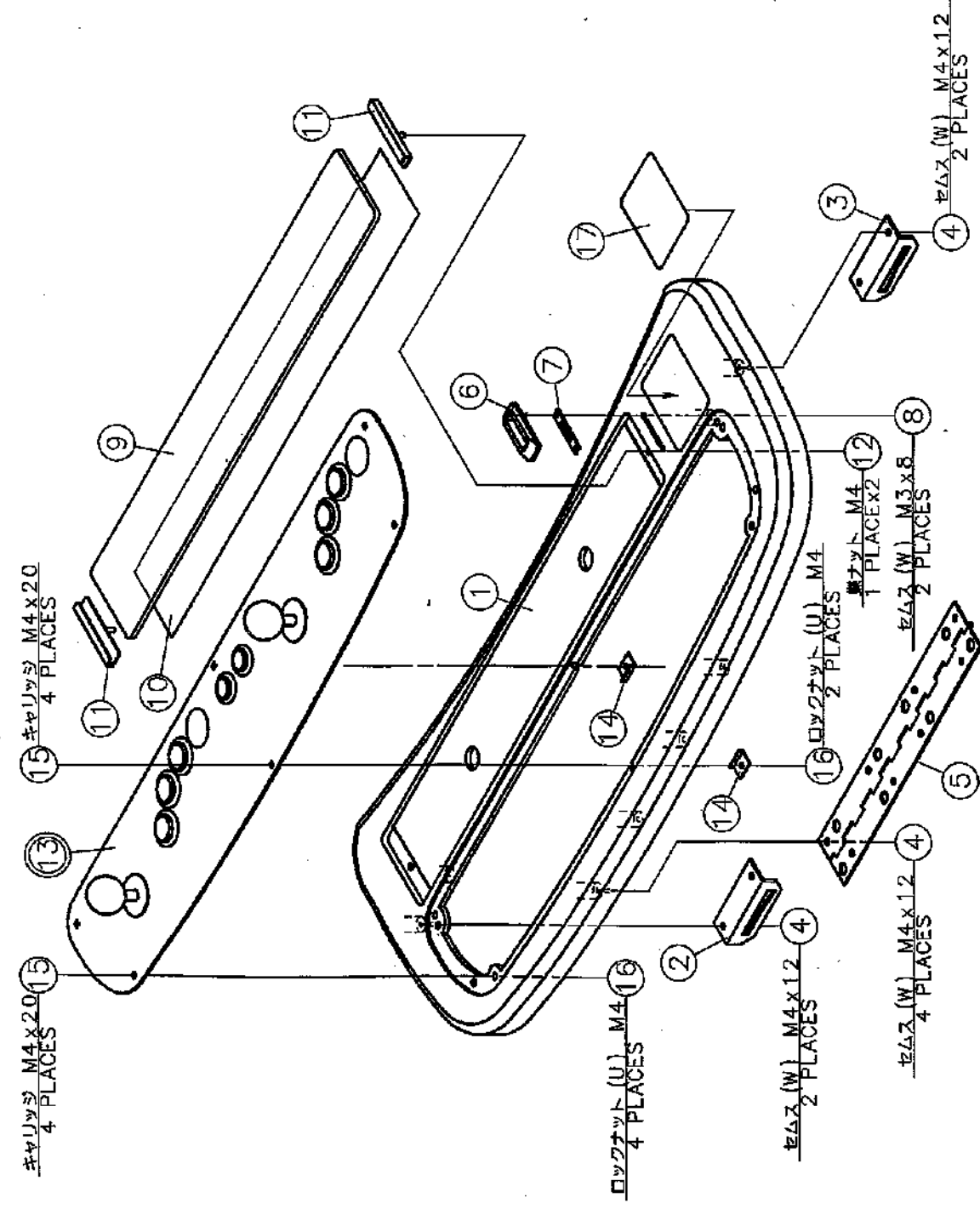
| PARTS LIST | | | |
|------------|-----------|----------------------------------|-----|
| NO | PARTS No. | PARTS LIST | QTY |
| 1 | M1000177A | FL ASSY LW-2119BT7 | 1 |
| 2 | C1500044A | FL LAMP-(20W)(無光色) FL20SD | 1 |
| 3 | E3013212A | FL BRACKET | 2 |
| 4 | | PLAIN WASHER-UNI(RO) 4.5X18X1.6T | 2 |
| 5 | | WASHER HD TAP TIGHT-S 3X8 2 | 2 |
| 6 | | PAN HD SEMIUTH SCREW-W MAX12 10 | 10 |
| 7 | E5060563A | TOP HINGE | 1 |
| 8 | E9001067B | PANEL STAY L | 1 |
| 9 | E9001068B | PANEL STAY R | 1 |
| 10 | G1501346A | TAI TO STICKER SHEET | 1 |
| 11 | | | |
| 12 | | | |
| 13 | | | |
| 14 | | | |
| 15 | | | |
| 16 | | | |
| 17 | | | |
| 18 | | | |
| 19 | | | |
| 20 | | | |
| 21 | | | |
| 22 | | | |
| 23 | | | |
| 24 | | | |
| 25 | | | |



NOTE

TITLE FRONT PANEL ASSY

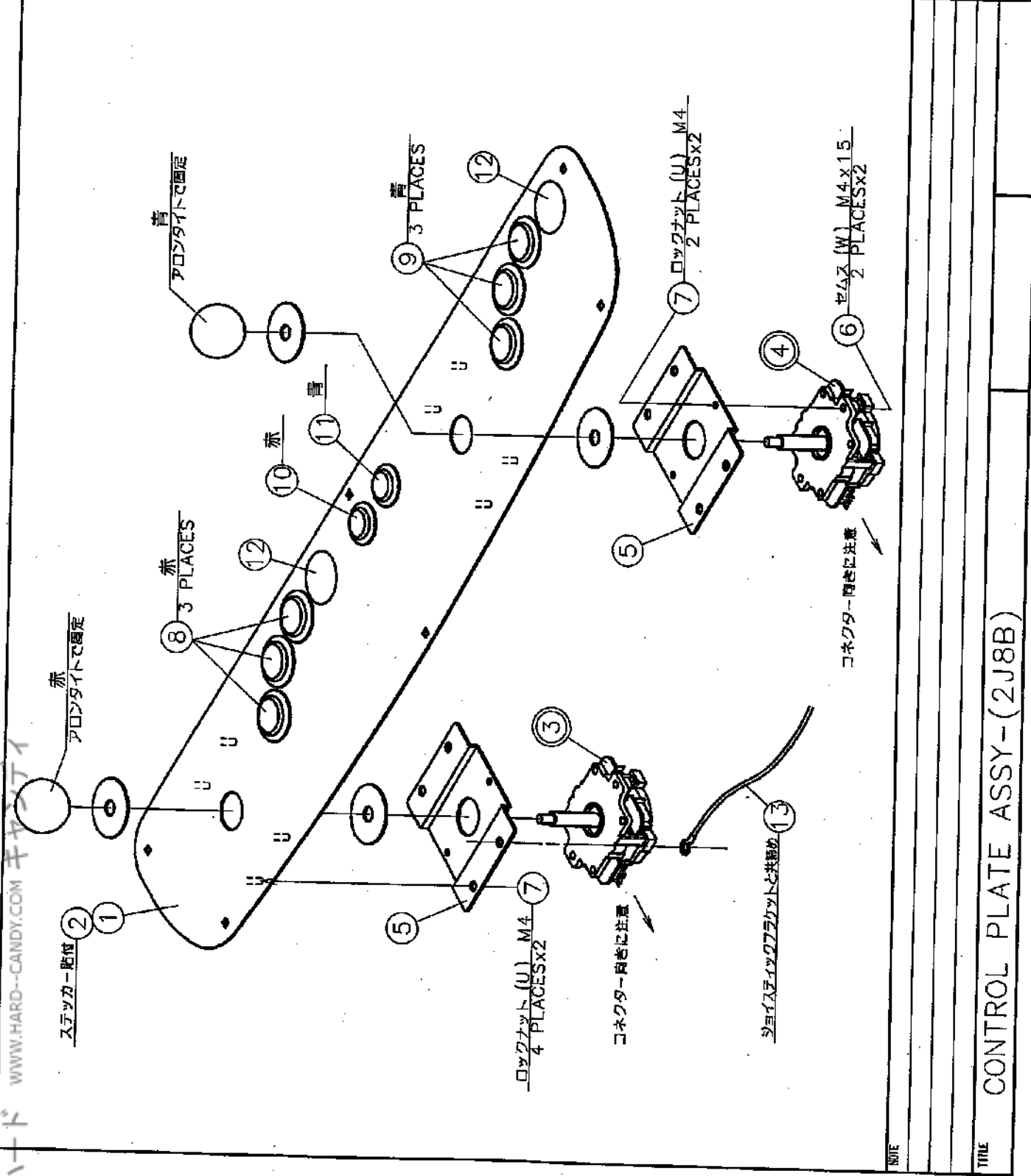
| PARTS LIST | | | |
|------------|-----------|----------------------------------|-----|
| NO | PARTS No. | PARTS LIST | QTY |
| 1 | F9004273B | CONTROL PANEL | 1 |
| 2 | E3013275A | KEY HOOK L | 1 |
| 3 | E3013276A | KEY HOOK R | 1 |
| 4 | | PAN HD SEMIUTH SCREW-W MAX12 6 | 6 |
| 5 | E5060564A | CONTROL HINGE | 1 |
| 6 | F9004277B | COIN ENTRY MOLDING GRAY | 1 |
| 7 | E3000262A | COIN ENTRY PLATE-(100YEN) | 1 |
| 8 | | PAN HD SEMIUTH SCREW-W MAX12 2 | 2 |
| 9 | H1005080A | GLASS | 1 |
| 10 | G1502043A | DISPLAY CARD | 1 |
| 11 | E3013216A | GLASS STOPPER | 2 |
| 12 | | WING NUT-(UNI(RO) M4 2 | 2 |
| 13 | M0315293A | CONTROL PLATE ASSY-(2388) | 1 |
| 14 | E3013218A | PLATE STOPPER | 2 |
| 15 | | CARRIAGE BOLT-(C(RO) MAX20 6 | 6 |
| 16 | | SELF LOCKING NUT-U-(UNI(RO) M4 6 | 6 |
| 17 | G6500011A | PRICE STICKER SHEET | 1 |
| 18 | | | |
| 19 | | | |
| 20 | | | |
| 21 | | | |
| 22 | | | |
| 23 | | | |
| 24 | | | |
| 25 | | | |



NOTE

TITLE CONTROL PANEL BASE ASSY

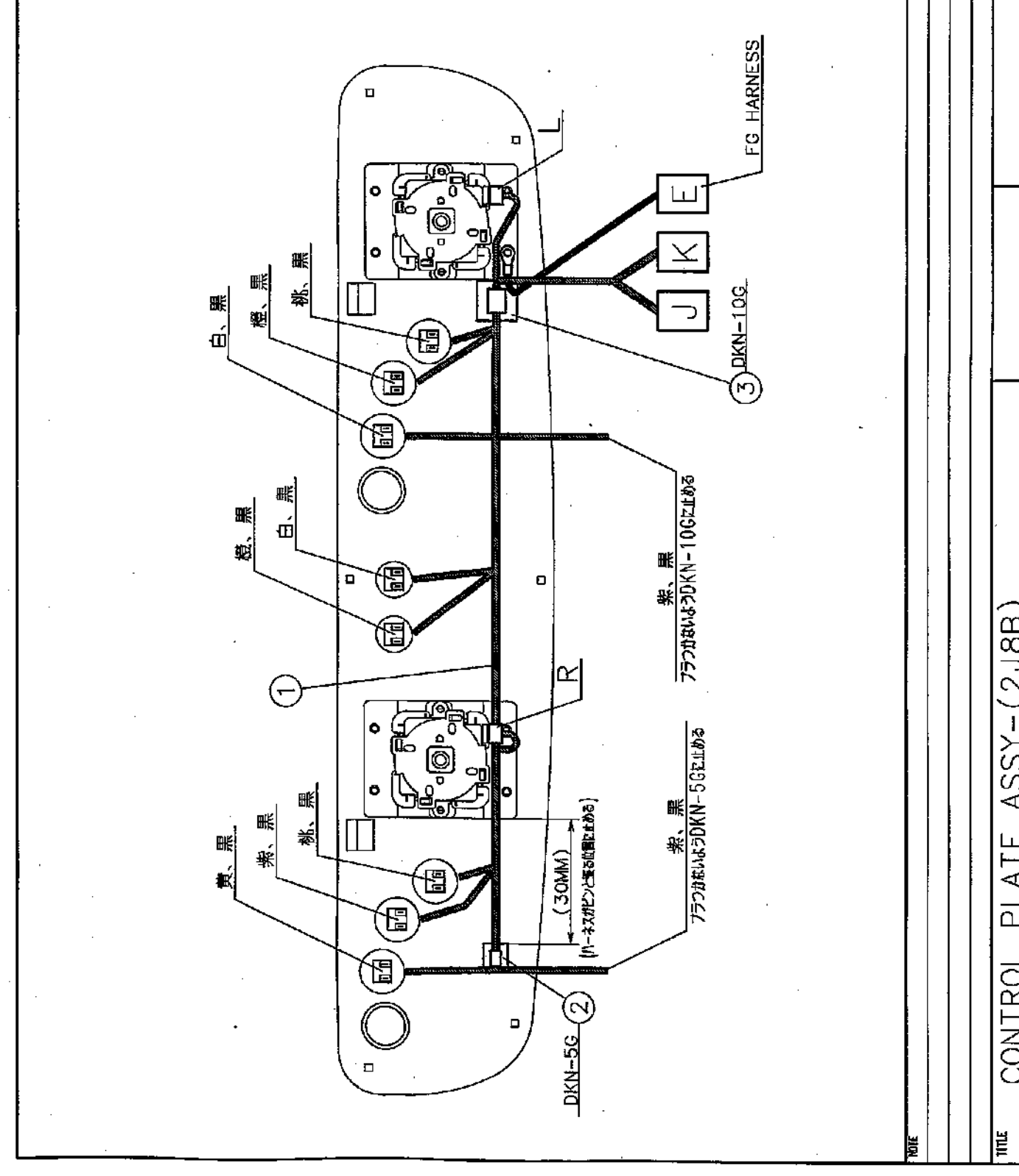
| PARTS LIST | | | |
|------------|-----------|-------------------------------------|-----|
| ITEM | PARTS No. | PARTS LIST | QTY |
| 1 | E3013217A | CONTROL PLATE 2J8B | 1 |
| 2 | G1502044A | CONTROL STICKER-(2J8B) | 1 |
| 3 | M1000178A | JOYSTICK VIOLET JLF-TP-8Y | 1 |
| 4 | M1000179A | JOYSTICK DARK BLUE JLF-TP-8Y | 1 |
| 5 | E3013247B | JOYSTICK BRACKET | 2 |
| 6 | | FW (R) SOLDER SCREW (ORINATE) MEX15 | 4 |
| 7 | | SELF LOCKING NUT-U-(UNI)CHRO) M4 12 | |
| 8 | G0200532A | PLATE SW - (SST) M4 (YORKA 12V) | 3 |
| 9 | G0200536A | PLATE SW - (SST) M4 (YORKA 12V) | 3 |
| 10 | G0200535A | PLATE SW - (SST) M4 (YORKA 12V) | 3 |
| 11 | G0200537A | SPRING PUSH BUTTON | 1 |
| 12 | F9001053A | DARK BLUE COUSE-2AN | 1 |
| 13 | L9003919A | FG HARNESS | 1 |
| 14 | | | |
| 15 | | | |
| 16 | | | |
| 17 | | | |
| 18 | | | |
| 19 | | | |
| 20 | | | |
| 21 | | | |
| 22 | | | |
| 23 | | | |
| 24 | | | |
| 25 | | | |



TITLE CONTROL PLATE ASSY-(2J8B)

NOTE

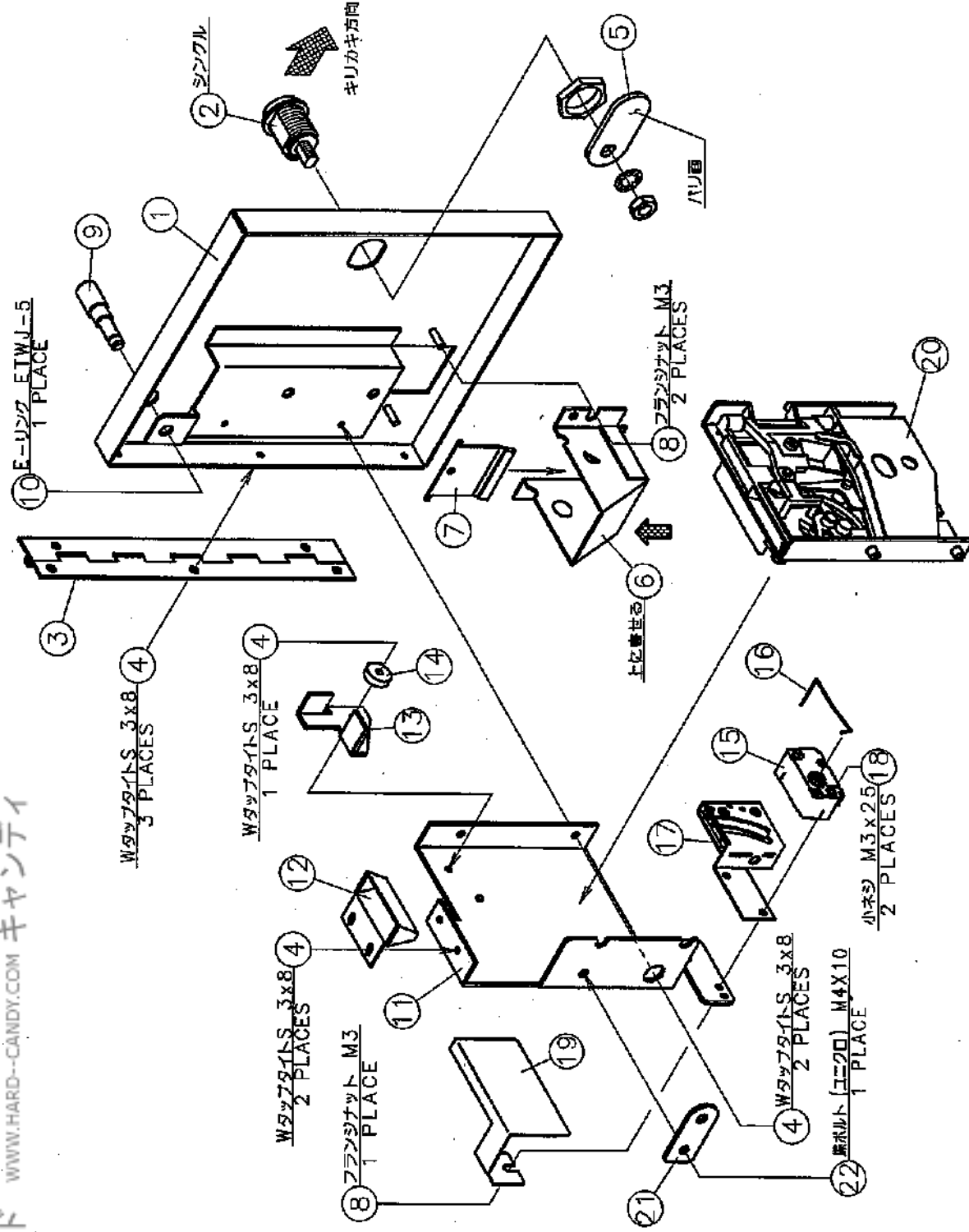
| PARTS LIST | | | |
|------------|-----------|---------------------------|-----|
| ITEM | PARTS No. | PARTS LIST | QTY |
| 1 | L3000506C | K HARNESS-(2J8B) | 1 |
| 2 | F0100069A | DK GRAMP-(17.5X19) DKN-5G | 1 |
| 3 | F0100071A | DK GRAMP-(30X21) DKN-10G | 1 |
| 4 | | | |
| 5 | | | |
| 6 | | | |
| 7 | | | |
| 8 | | | |
| 9 | | | |
| 10 | | | |
| 11 | | | |
| 12 | | | |
| 13 | | | |
| 14 | | | |
| 15 | | | |
| 16 | | | |
| 17 | | | |
| 18 | | | |
| 19 | | | |
| 20 | | | |
| 21 | | | |
| 22 | | | |
| 23 | | | |
| 24 | | | |
| 25 | | | |



TITLE CONTROL PLATE ASSY-(2J8B)

NOTE

| PARTS LIST | | |
|------------|------------|-----------------------------|
| No | PARTS No. | PARTS LIST |
| 1 | E3013148A | REJECTOR DOOR |
| 2 | E5000628A* | KEY (SINGLE) |
| 3 | E5000565A | DOOR HINGE |
| 4 | | WASHER HD TAP TIGHT-S 3x8 B |
| 5 | E3000009A | LOCK PLATE |
| 6 | E3010035C | CUP |
| 7 | E3014448A | SHUTTER |
| 8 | | FLANGE NUT M3 |
| 9 | E1000928A | CANCEL ROD |
| 10 | | E-RING ETWJ-5 |
| 11 | E3013218A | REJECTOR HOLDER |
| 12 | E3009953A | COIN GUIDE |
| 13 | E3012094A | CANCEL LEVER |
| 14 | E1001508A | SPACER |
| 15 | CD200557A | MICRO SWITCH D2MC-01E |
| 16 | CD300022B | ACTUATOR |
| 17 | E3013220A | M.S. COIN GUIDE |
| 18 | E3000180A | ACTUATOR COVER |
| 19 | M1210014A | REJECTOR-(100 YEN) AD-81P3 |
| 20 | E3013221A | REJECTOR PLATE |
| 21 | | WING BOLT-(UNICHRD) MAX10 |
| 22 | | |
| 23 | | |
| 24 | | |
| 25 | | |

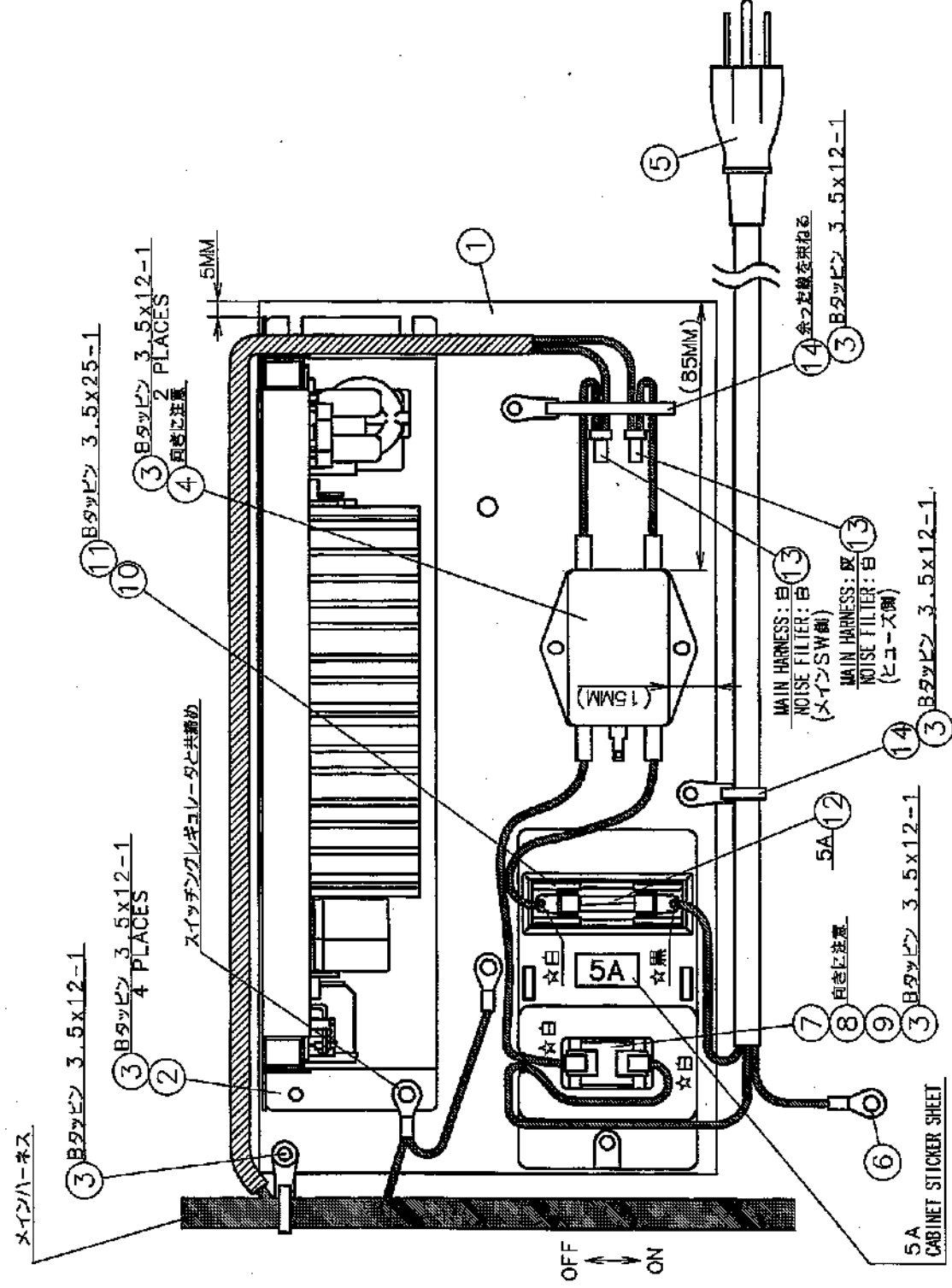


NOTE

TITLE REJECTOR DOOR ASSY

NOTE

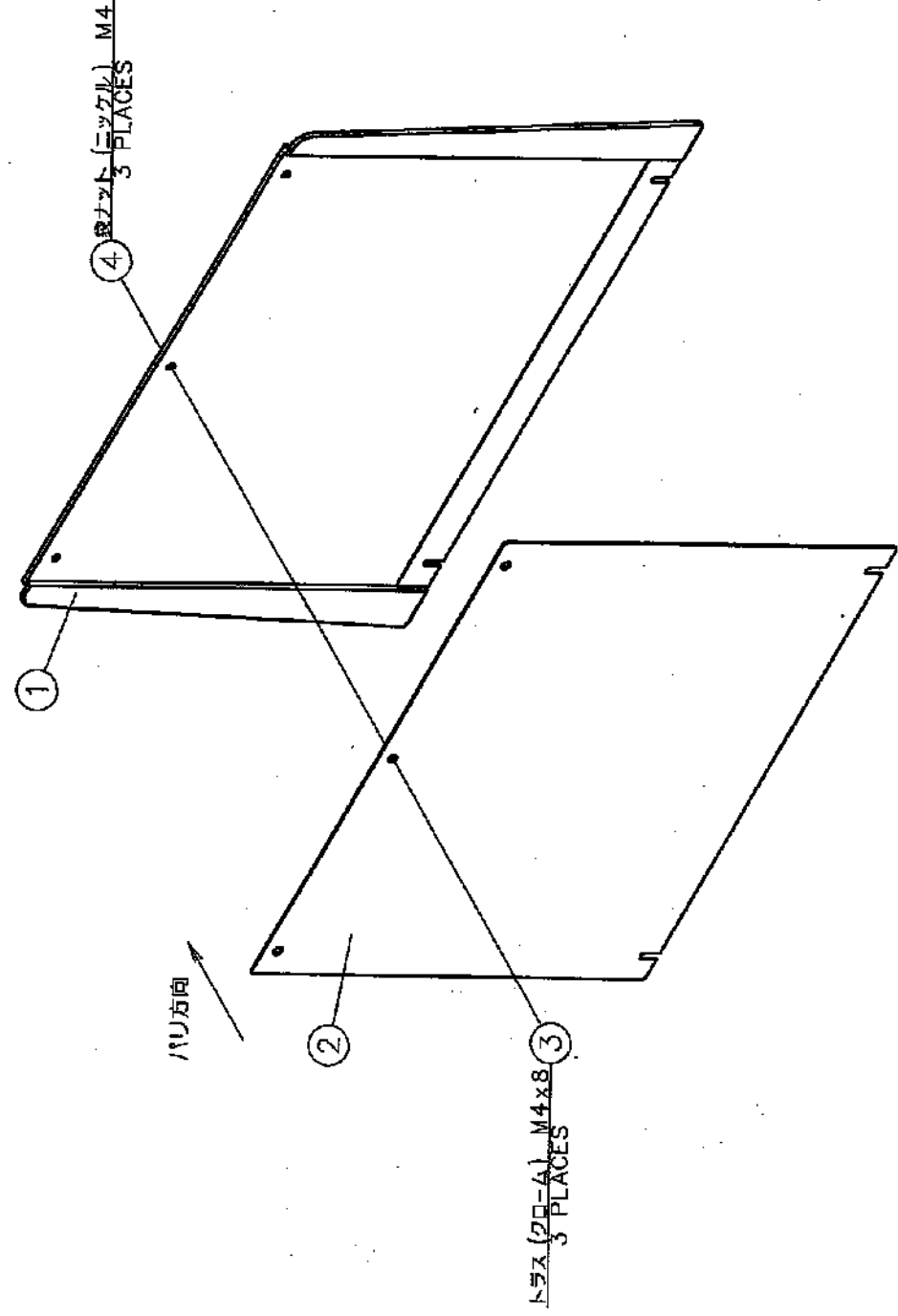
| PARTS LIST | | |
|------------|-----------|---------------------------------------|
| No | PARTS No. | PARTS LIST |
| 1 | D2001858A | ELECTRIC BASE |
| 2 | M1300027B | SWITCHING REGULATOR AAA-01A |
| 3 | | BIND IN SELF TAP-(GRN/MT) 3.5x12-1 10 |
| 4 | C1800026B | NOISE FILTER-(250V 5A) MF-2065 |
| 5 | CO700329A | AC CORD WITH PLUG 3P-F-3M |
| 6 | CO600077A | ROUND TYPE TERMINAL-(FOR 4) FVZ-M4 |
| 7 | F9003665A | MAIN SWITCH BASE |
| 8 | CO200020A | LOCKING CRAMP-(FIRST HOR.28x.125W) |
| 9 | F9003664B | MAIN SWITCH COVER |
| 10 | CO350186A | FUSE HOLDER-(WITHOUT COVER)-IP F-3081 |
| 11 | | BIND IN SELF TAP-(GRN/MT) 3.5x12-1 |
| 12 | C1800037A | FUSE-(5A 125V)-(6.3X30) |
| 13 | CO601005A | TERMINAL & CONNECTOR-S (12A) DE-2 |
| 14 | F0100031A | LOCKING CRAMP (黒色) 50D-145F |
| 15 | | |
| 16 | | |
| 17 | | |
| 18 | | |
| 19 | | |
| 20 | | |
| 21 | | |
| 22 | | |
| 23 | | |
| 24 | | |
| 25 | | |



NOTE

TITLE ELECTRIC BASE ASSY

| PARTS LIST | | | |
|------------|-----------|-----------------------------|-----|
| NO | PARTS No. | PARTS LIST | QTY |
| 1 | F9004278B | INSTRUCTION PANEL | 1 |
| 2 | F9004294B | INSTRUCTION COVER | 1 |
| 3 | | TRUSS HD SCREW<CHROME> M4x8 | 3 |
| 4 | | HEX CAP NUT<NICKEL> M4 | 3 |
| 5 | | | |
| 6 | | | |
| 7 | | | |
| 8 | | | |
| 9 | | | |
| 10 | | | |
| 11 | | | |
| 12 | | | |
| 13 | | | |
| 14 | | | |
| 15 | | | |
| 16 | | | |
| 17 | | | |
| 18 | | | |
| 19 | | | |
| 20 | | | |
| 21 | | | |
| 22 | | | |
| 23 | | | |
| 24 | | | |
| 25 | | | |



NOTE

TITLE ATTACHED PARTS

配線図

