

TAITO®

EGRETT 3™

TAITO UNIVERSAL GAME CABINET

イーグレット3

取扱説明書

⚠ 注意

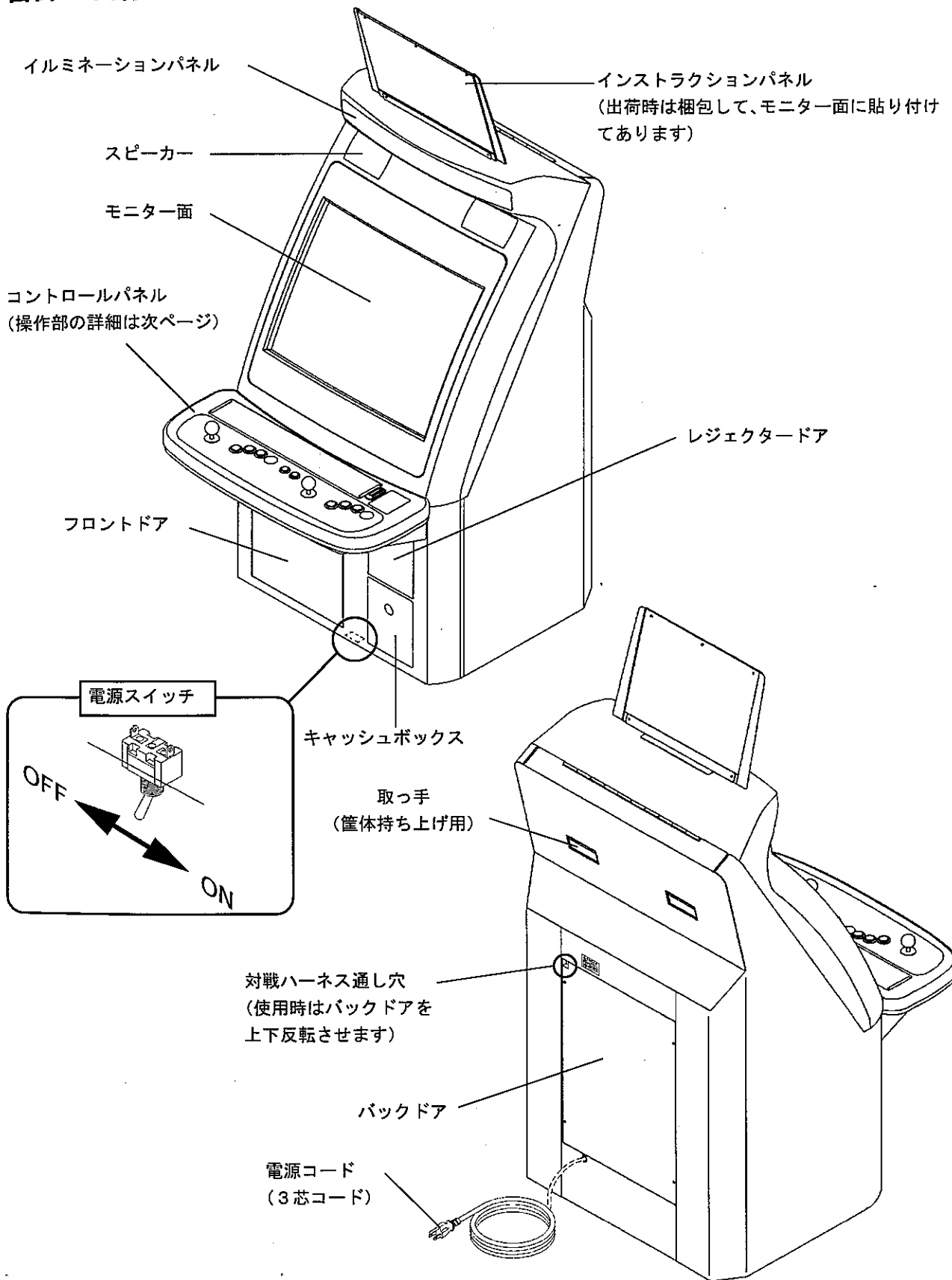
- ・本製品を安全に正しく使用していただくために、使用前に必ず本書をお読みいただき、十分に理解してください。
- ・本書は、お読みになった後、いつでも使用できるように必ず所定の場所に保管してください。

株式会社 **タイトー**®

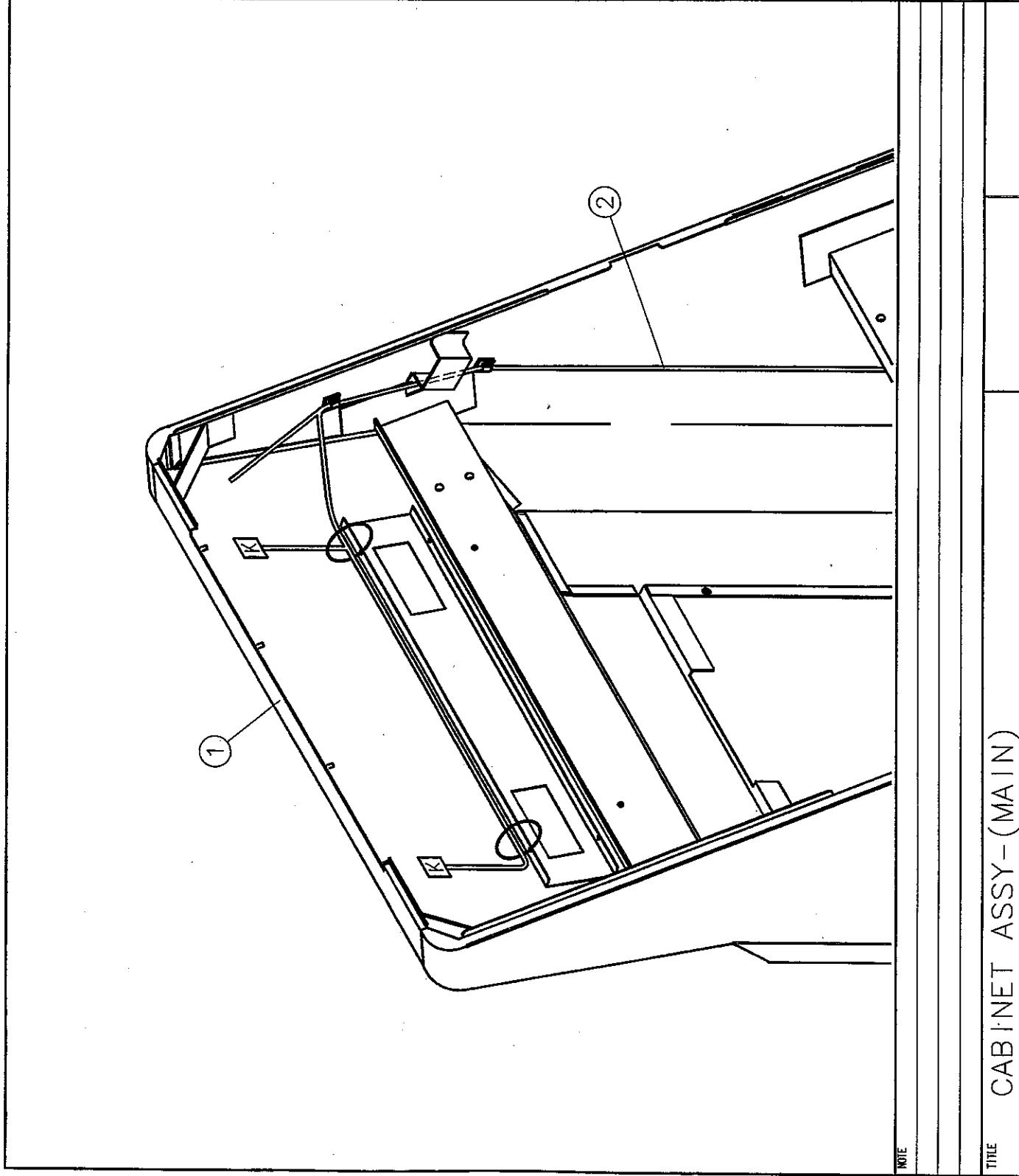
G2002302A

製品概要

各部の名称

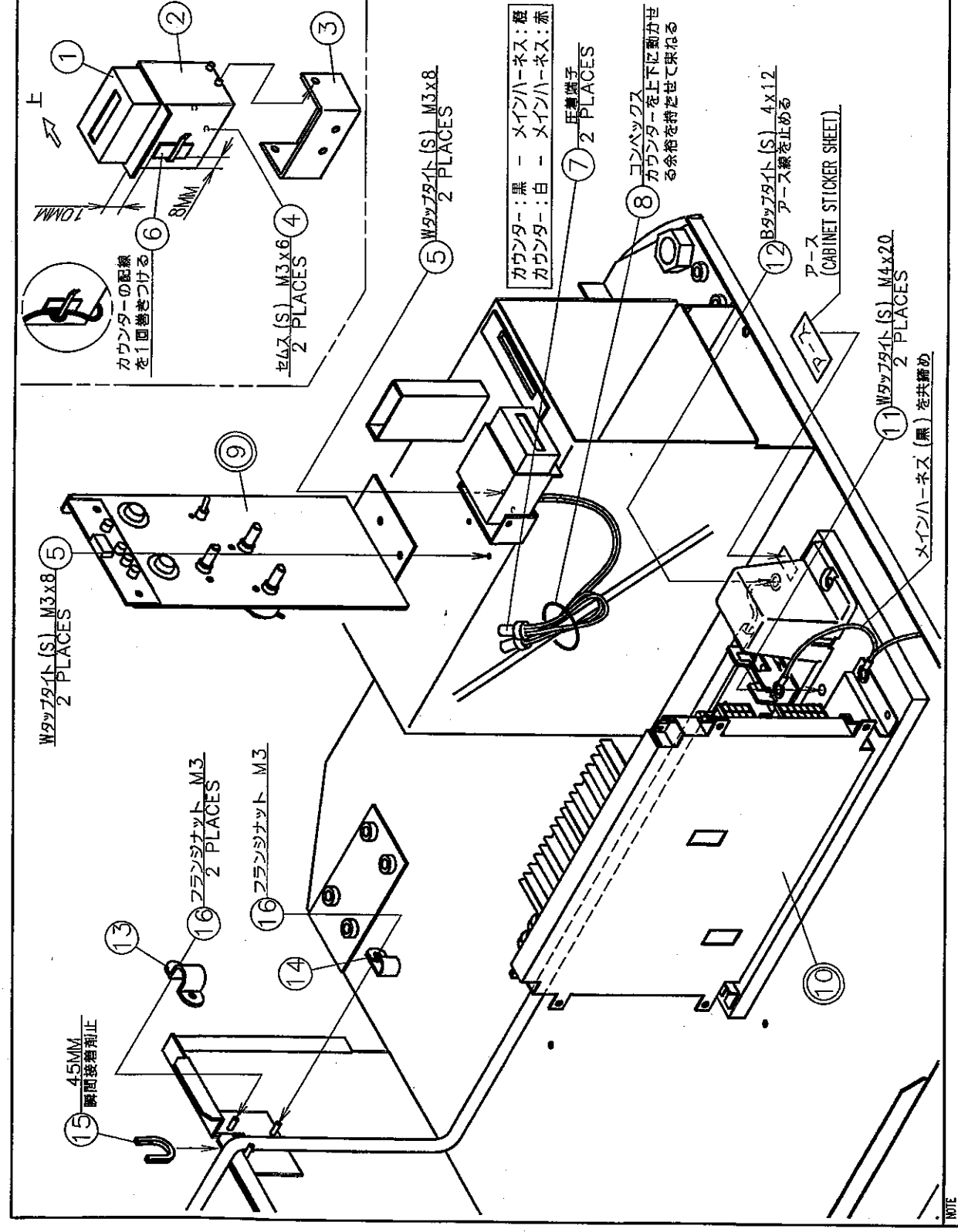


PARTS LIST		
No.	PARTS No.	QTY
1	E3100680B	1
2	L1000388A	1
3		
4		
5		
6		
7		
8		
9		
10		
11		
12		
13		
14		
15		
16		
17		
18		
19		
20		
21		
22		
23		
24		
25		



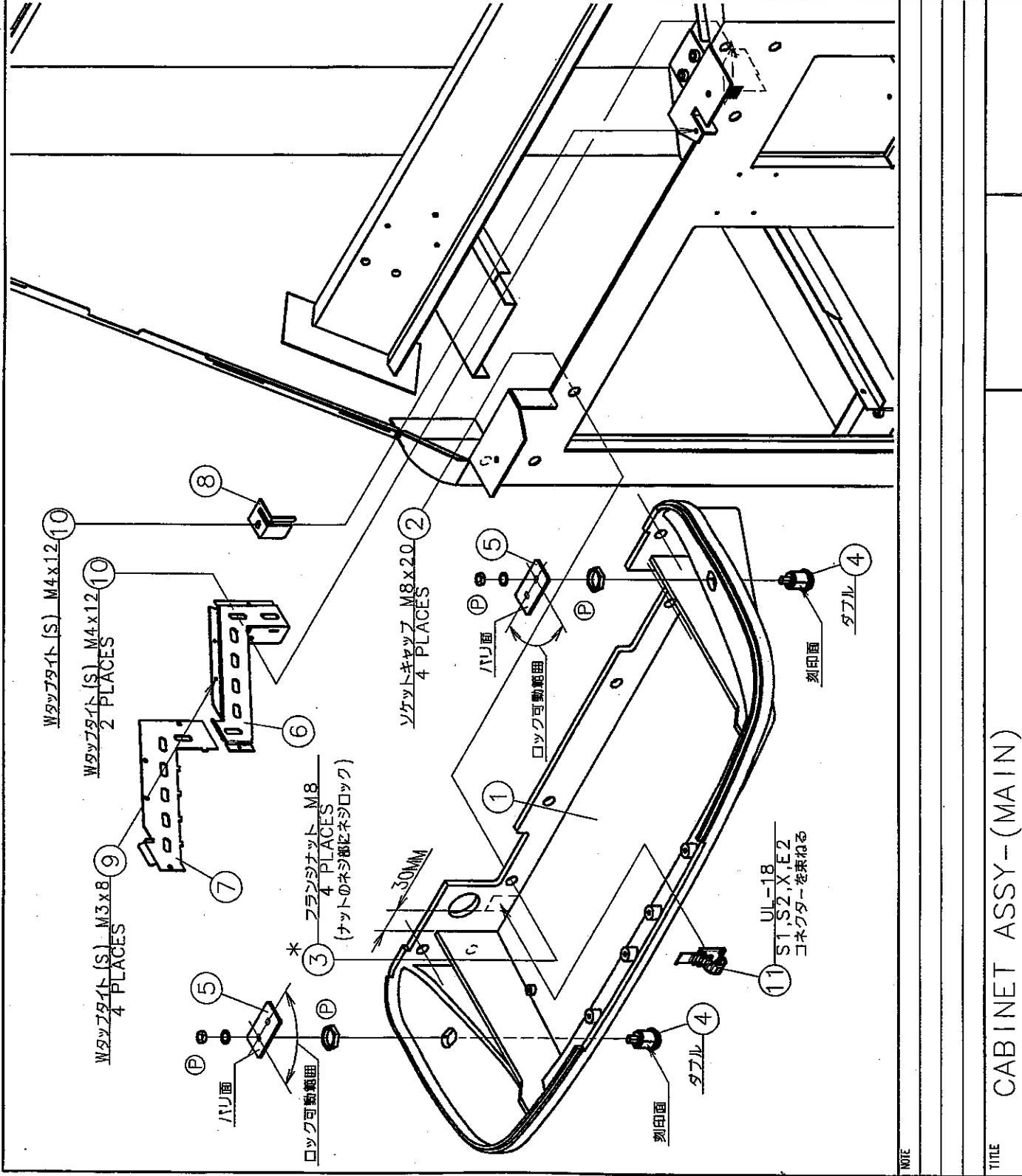
TITLE CABINET ASSY-(MAIN)

PARTS LIST		
No.	PARTS No.	QTY
1	C1700054B	1
2	F9004275B	1
3	F9004276B	1
4		2
5		4
6	H9000313A	1
7	C0601005A	1
8	F0100028A	2
9	M9005842A	1
10	M9005845A	1
11		2
12		2
13	F9000048A	1
14	F0100003A	1
15	F9003414A	0.045
16		3
17		
18		
19		
20		
21		
22		
23		
24		
25		



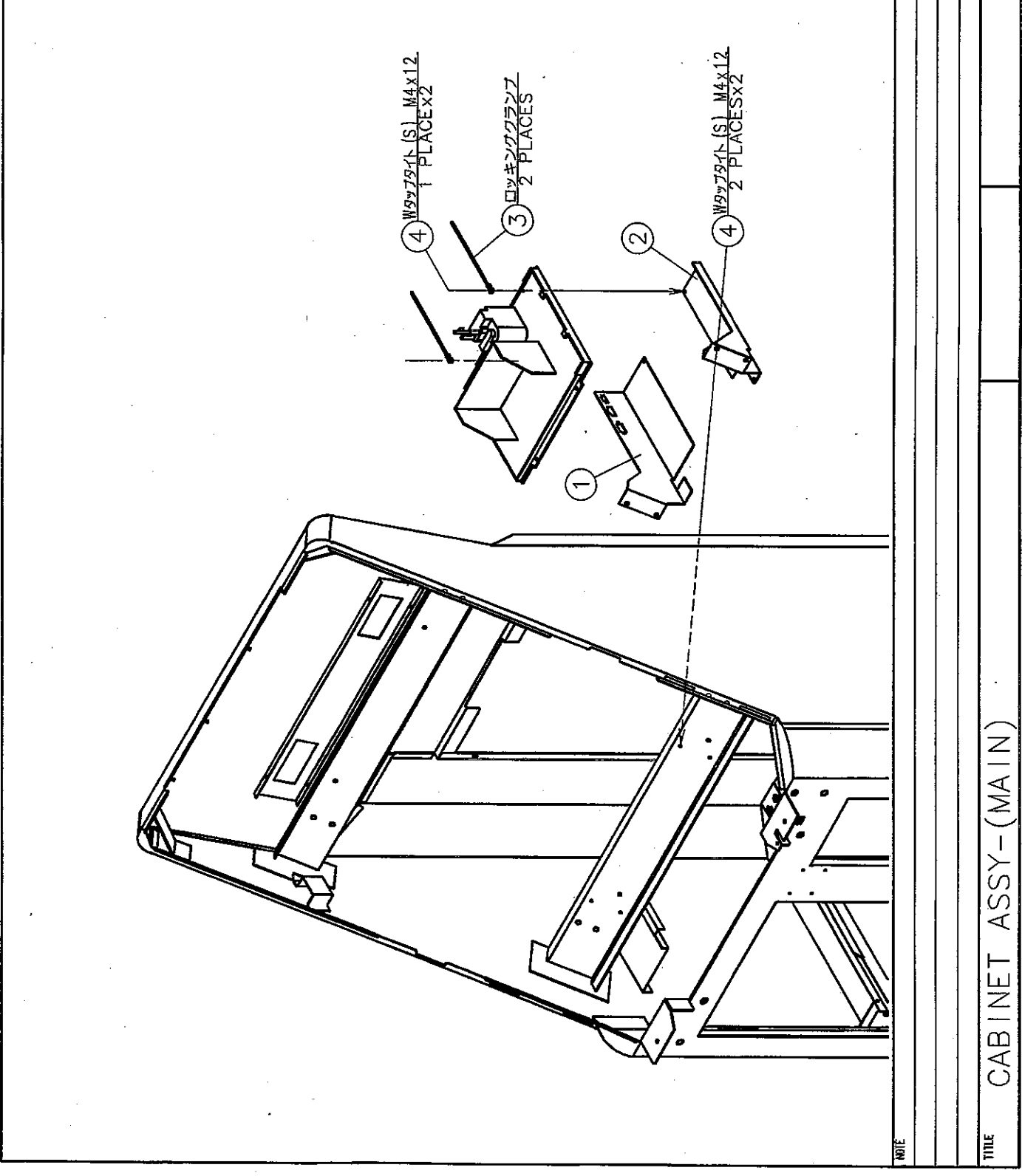
TITLE CABINET ASSY-(MAIN)

PARTS LIST		PARTS LIST	
NO	PARTS No.	QTY	
1	F9004274A	1	CONTROL BASE
2		4	SOCKET CAP BOLT-(TEMPER) M8X20
3		4	FLANGE NUT-(CHROMATE) M8
4	E5000634A	2	LOCK COUPLER-(LY1153)
5	E3013279A	2	LOCK PLATE 2
6	E3013207A	1	COIN CHUTE A
7	E3013208A	1	COIN CHUTE B
8	E3013209A	1	CHUTE SUPPORT
9		4	WASHER HD TAP TIGHT-S 3X8
10		3	WASHER HD TAP TIGHT-S 4X12
11	F0100025A	1	UL_CRAMP UL-18
12			
13			
14			
15			
16			
17			
18			
19			
20			
21			
22			
23			
24			
25			



CABINET ASSY-(MAIN)

PARTS LIST		PARTS LIST	
NO	PARTS No.	QTY	
1	E3016637A	1	CIRCUIT BRACKET-L
2	E3016638A	1	CIRCUIT BRACKET-R
3	F0100031A	2	LOCKING CRAMP SKB-145F
4		6	WASHER HD TAP TIGHT-S-(CHROMATE) 4X12
5			
6			
7			
8			
9			
10			
11			
12			
13			
14			
15			
16			
17			
18			
19			
20			
21			
22			
23			
24			
25			



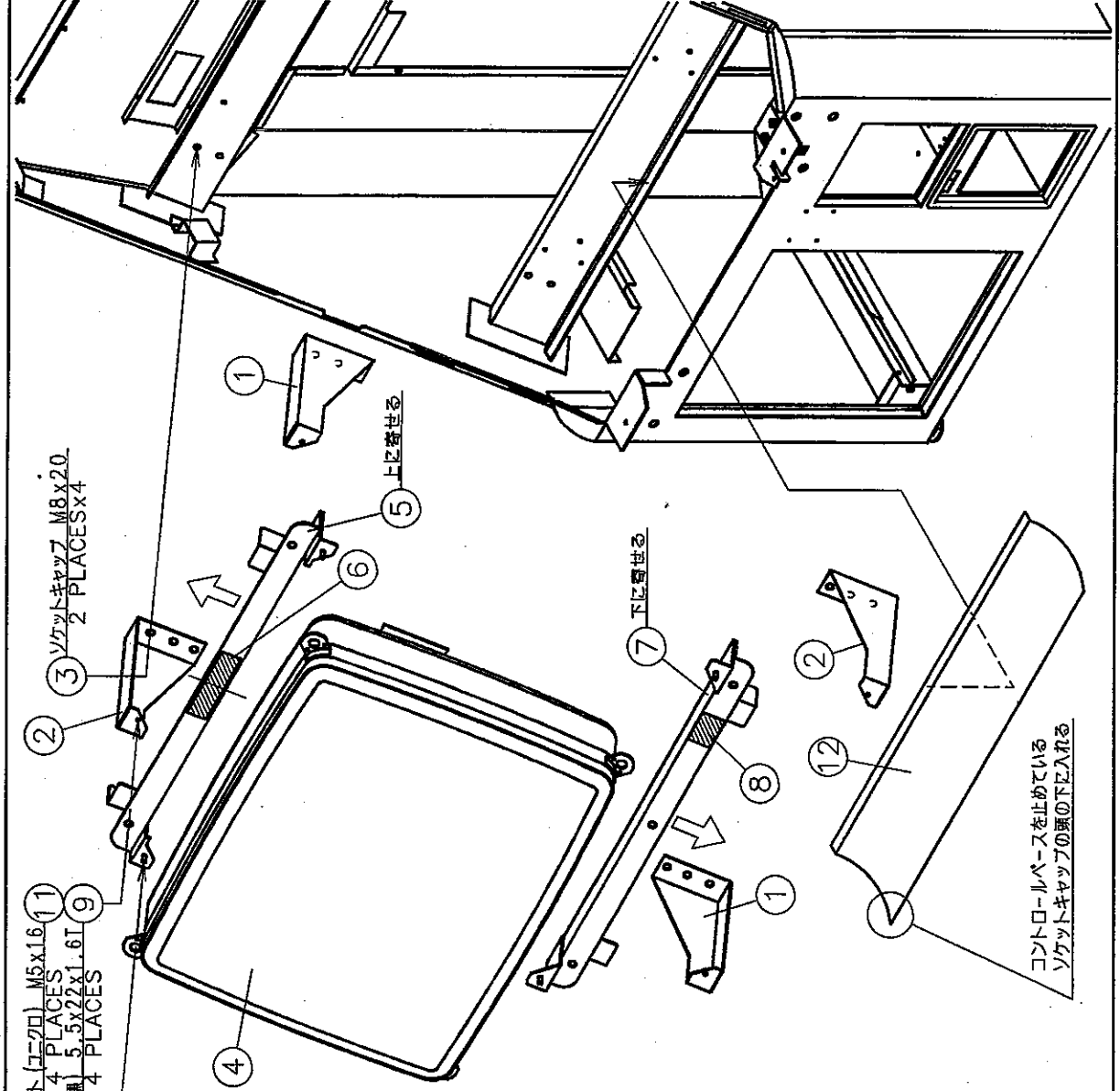
CABINET ASSY-(MAIN)

フランナット M5
2 PLACESx2
平ワ 5.5x22x1.6T
2 PLACESx2

フランナット M5x1.6
4 PLACES
平ワ 5.5x22x1.6T
4 PLACES

ソケットキャップ M8x2.0
2 PLACESx4

PARTS LIST			
No	PARIS No.	PARIS LIST	QTY
1	E3016633B	VIDEO SUPPORT-L	2
2	E3016634B	VIDEO SUPPORT-R	2
3	M1100044A	VIDEO ASSY 29-(FLAT)	8
4	E3016635A	MONITOR FRAME-T	1
5	G1001881A	WARNING STICKER モニタ-黒	1
6	E3016636A	MONITOR FRAME-B	1
7	X0002028A	CAUTION STICKER 取扱方向	1
8		PLAIN WASHER-(BLACK CHROMATE) 5.5x22x1.6T	8
9		FLANGE NUT-(CHROMATE) M5 4	4
10		WING BOLT-(UNI CHRD) M5x16 4	4
11	F9004347A	WATER COVER	1
12			
13			
14			
15			
16			
17			
18			
19			
20			
21			
22			
23			
24			
25			



NOTE

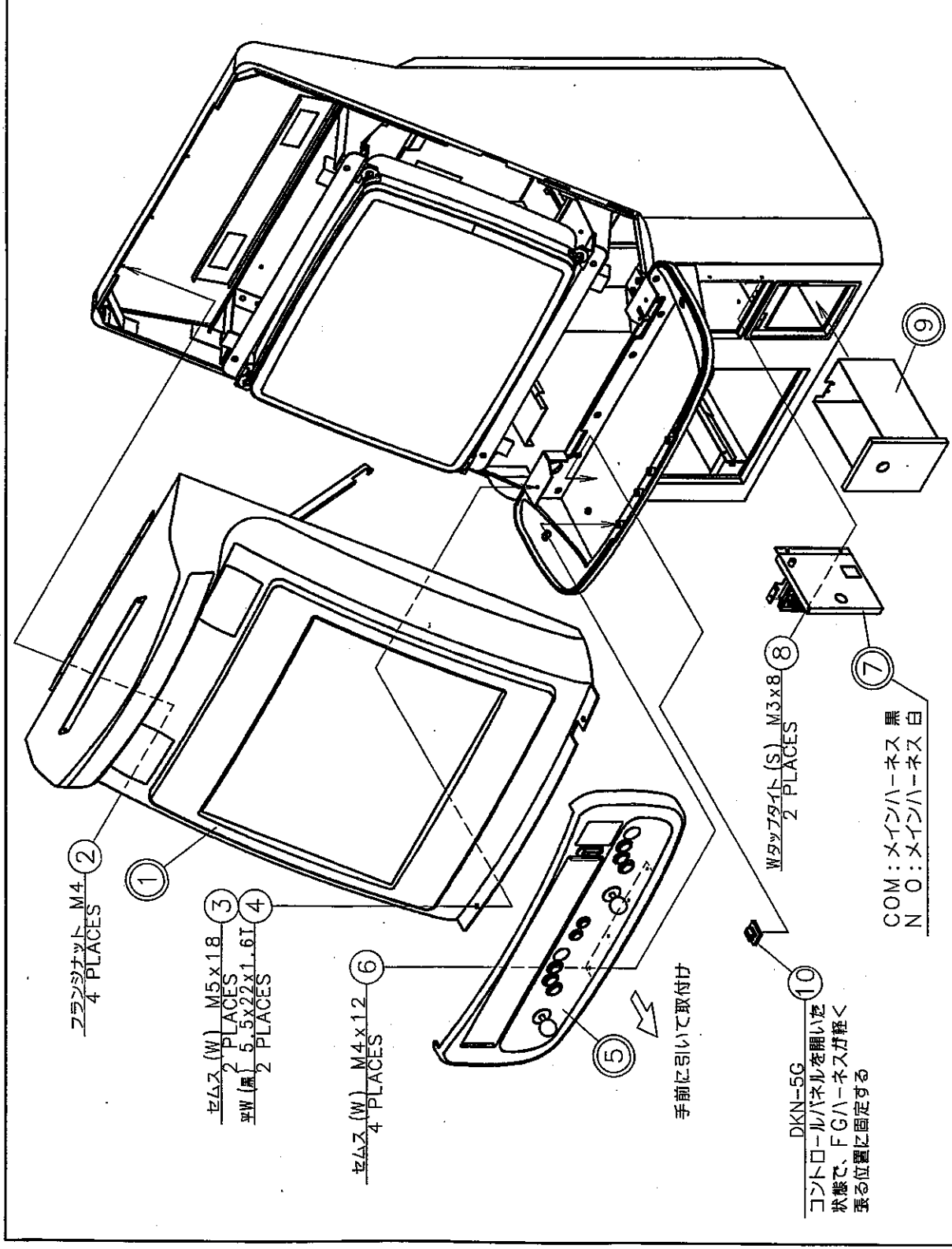
TITLE CABINET ASSY-(MAIN)

フランナット M4
4 PLACES

ワッシャー (W) M5x1.8
2 PLACES
平ワ 5.5x22x1.6T
2 PLACES

ワッシャー (W) M4x12
4 PLACES

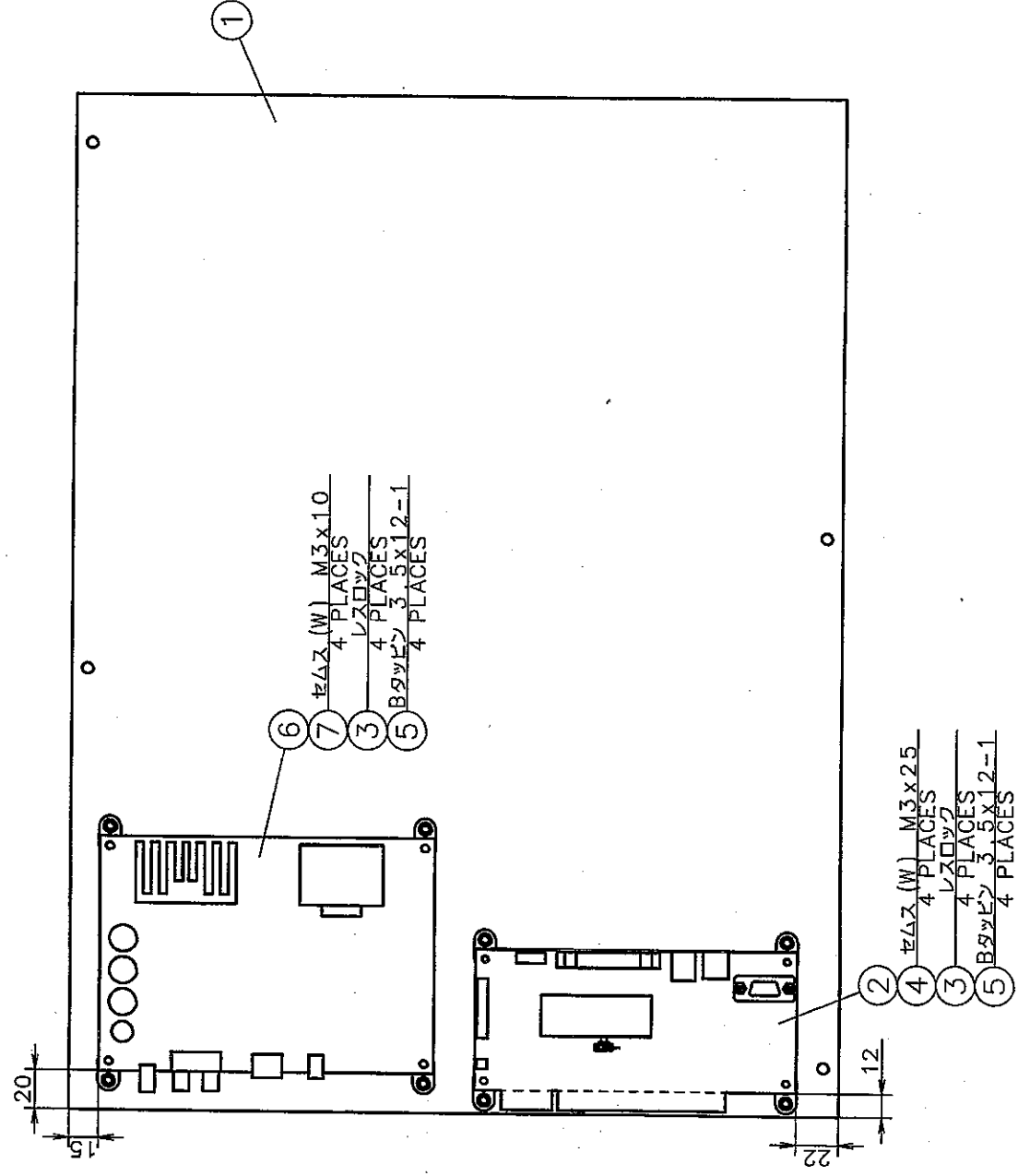
PARTS LIST			
No	PARIS No.	PARIS LIST	QTY
1	M9005843A	FRONT PANEL ASSY	1
2		FLANGE NUT-(CHROMATE) M4 4	4
3		PAN HD SEMUTH SCREW-W M5x18 2	2
4		PLAIN WASHER-(黒) 5.5x22x1.6T 2	2
5	M9005844A	CONTROL PANEL BASE ASSY-(208B)	1
6		PAN HD SEMUTH SCREW-W M4x12 4	4
7	M0500380A	REJECTOR DOOR ASSY	1
8		WASHER HD TAP TIGHT-S 3x8 2	2
9	M0400140A	CASH BOX ASSY-(WITH ALARM)	1
10	F0100069A	DK CRAMP-(17.5x19) DKN-5G 1	1
11			
12			
13			
14			
15			
16			
17			
18			
19			
20			
21			
22			
23			
24			
25			



NOTE

TITLE CABINET ASSY-(MAIN)

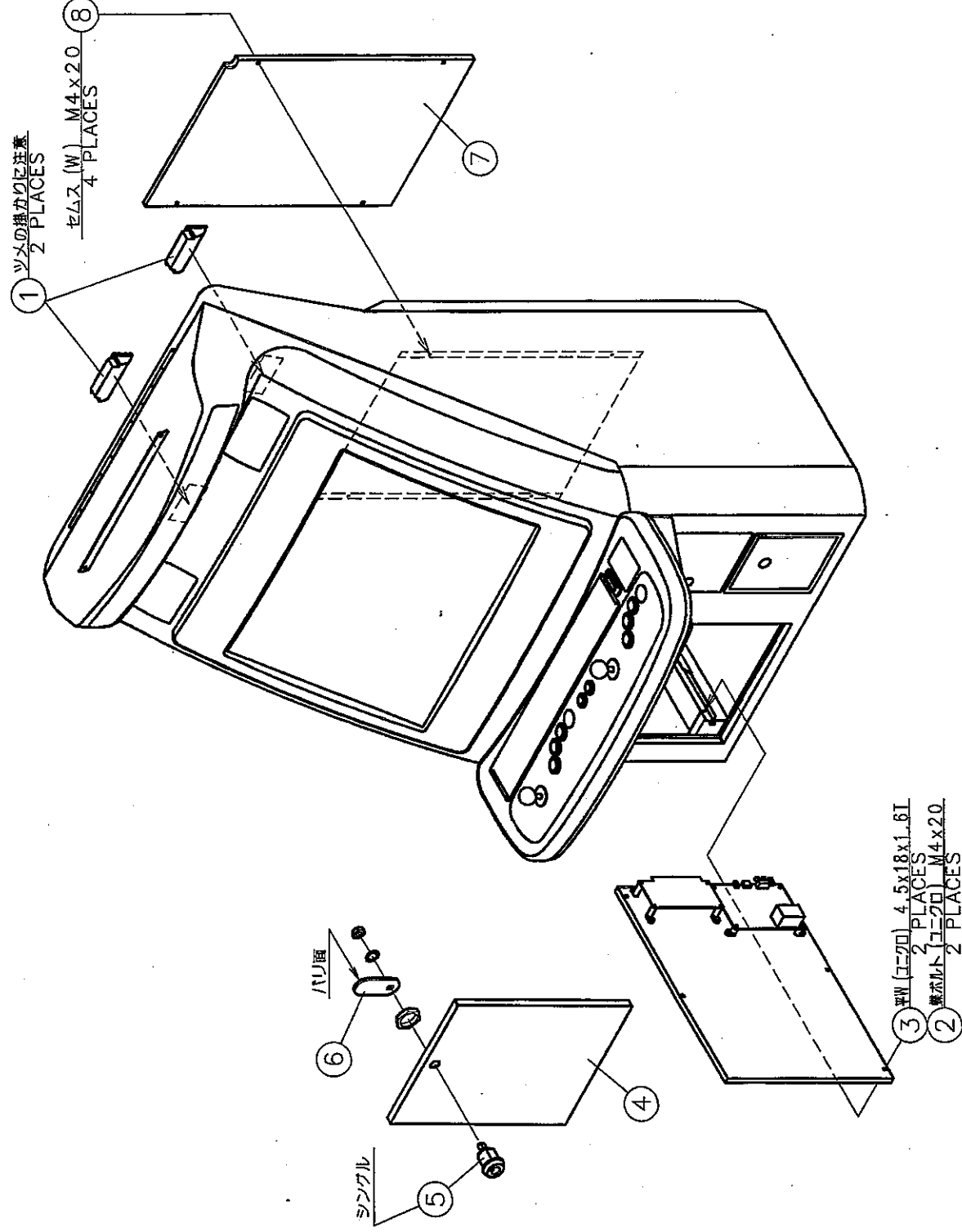
PARTS LIST			
No	PARTS No.	QTY	
1	D2001859A	PCB BASE	1
2	K91X0957A	I/O BD JVS TO JAMMA 838-15683	1
3	F9000668A	RES LOCK OL-E3	8
4		PAN HD SEMUTH SCREW-W M3X25	4
5		BIND HD SELF TAP 3.5X12-1	4
6	K91X0956A	AMP P.C.B. ASSY	1
7		PAN HD SEMUTH SCREW-W M3X10	4
8			
9			
10			
11			
12			
13			
14			
15			
16			
17			
18			
19			
20			
21			
22			
23			
24			
25			



NOTE

TITLE CABINET ASSY-(MAIN)

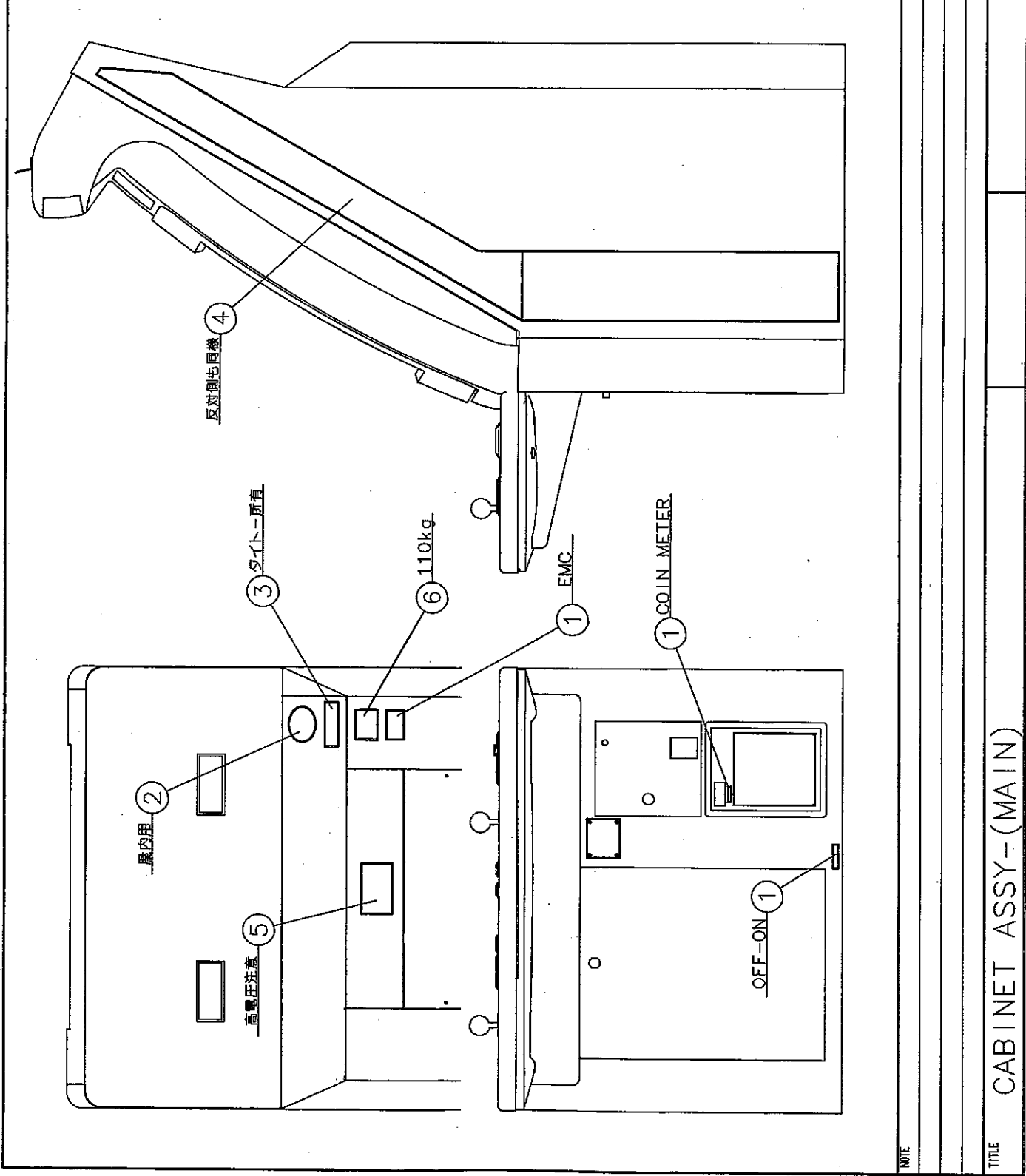
PARTS LIST			
No	PARTS No.	QTY	
1	F9004293A	PULL THA-241-1-OD4030	2
2		WING BOLT-(UNICHRD) M4X20	2
3		PLAIN WASHER-(UNICHRD) 4.5X18X1.6T	2
4	E3013145B	FRONT DOOR	1
5	E5000630A	FRONT LOCK PLATE	1
6	E3000009A	LOCK PLATE	1
7	D2001638B	BACK DOOR	1
8		PAN HD SEMUTH SCREW-W M4X20	4
9			
10			
11			
12			
13			
14			
15			
16			
17			
18			
19			
20			
21			
22			
23			
24			
25			



NOTE

TITLE CABINET ASSY-(MAIN)

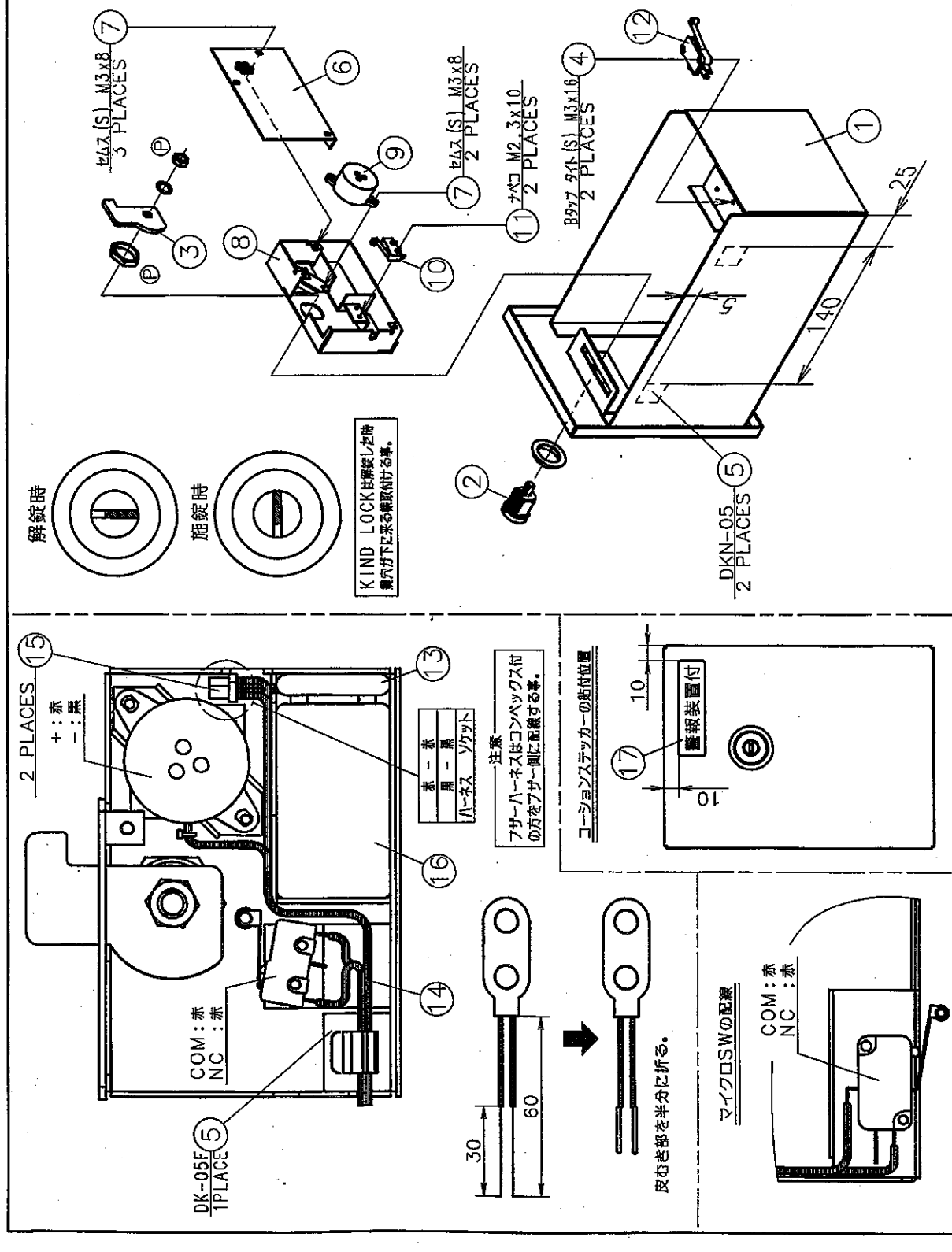
PARTS LIST		
No	PARTS No.	PARTS LIST
1	G1001714B	CABINET STICKER SHEET-(VER.3)
2	G1000211A	IN DOOR USE STICKER 扉内用
3	G1010020C	TANTO POSSESSION STICKER タント所持
4	G1502045A	BODY STICKER SHEET
5	G1001389B	VOLTAGE WARNING STICKER
6	X0002029A	WEIGHT STICKER 110KG
7		
8		
9		
10		
11		
12		
13		
14		
15		
16		
17		
18		
19		
20		
21		
22		
23		
24		
25		



NOTE

TITLE CABINET ASSY-(MAIN)

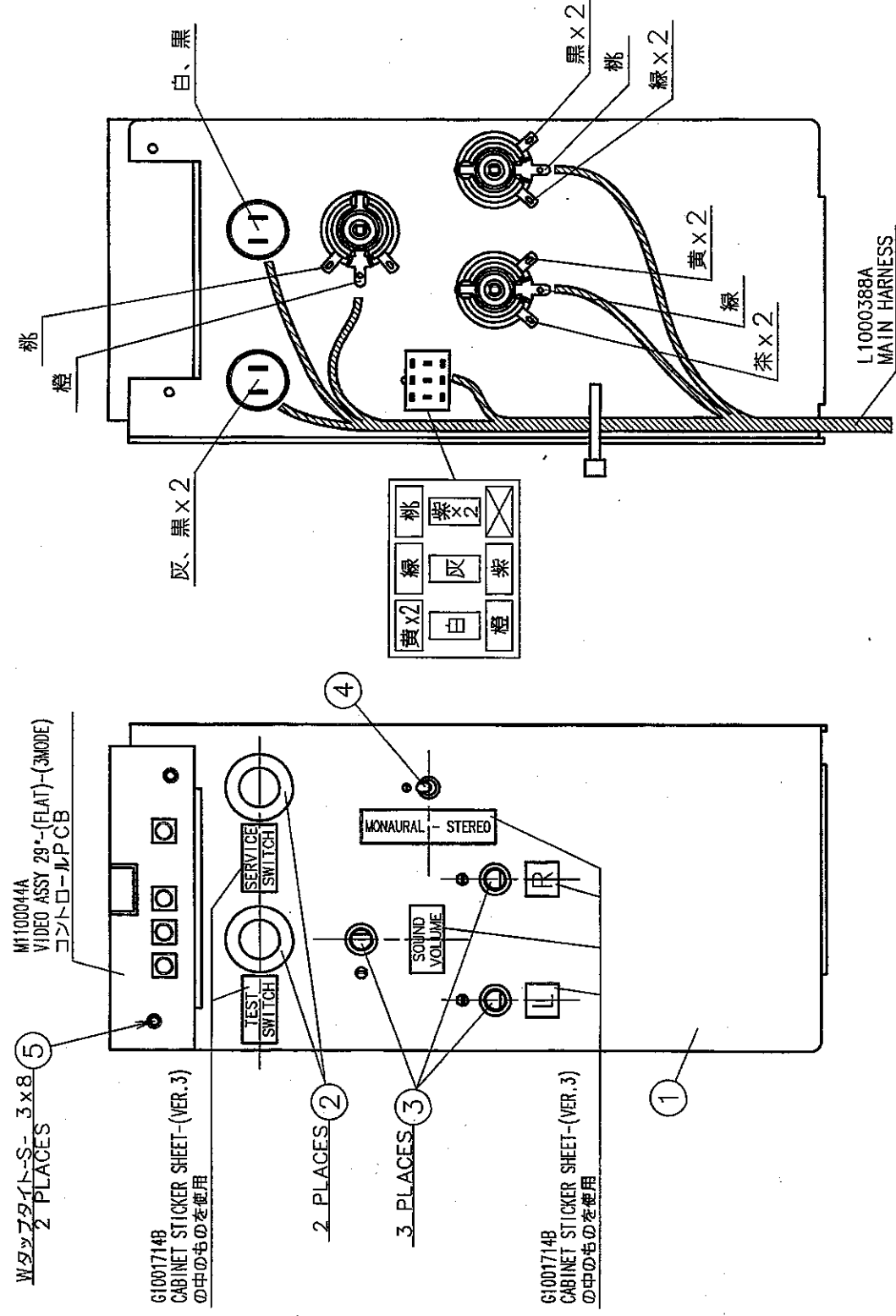
PARTS LIST		
No	PARTS No.	PARTS LIST
1	E3100681A	CASH BOX
2	E5000632A	KIND LOCK-(LARGE RING) 大環
3	E3015104A	LOCK PLATE-(Z LOCK)
4	BLND HD TAP TIGHT(S) M3x16	
5	F0100069A	DK CRAMP DKN-5G
6	E3013274B	BUZZER COVER (S)
7		PAN HD SEMIUTH SCREW(S) M3x8
8	E3013734C	BUZZER BOX-S
9	C1300020A	BUZZER EFBC28C11
10	C0200183A	MICRO SWITCH SS-SGL2
11		PAN HD SCREW M2.3x10
12	C0200617A	MICRO SWITCH AMS0646C3
13	C1900086A	BATTERY SOCKET-(039V) BS-IC(L-120)
14	L9003765A	BUZZER HARNESS
15	C0601005A	TERMINAL & CONNECTOR 2
16	C1900015A	BATTERY-(9V) 6F22(JIS)
17	G1001325A	CAUTION STICKER-(VER.2) ALARM UNIT
18		
19		
20		
21		
22		
23		
24		
25		



NOTE

TITLE CASH BOX-(WITH ALARM) & ALARM ASSY

PARTS LIST			
No	PARTS No.	PARTS LIST	QTY
1	E3016632A	CENTRAL BRACKET	1
2	C0200313A	PUSH SWITCH-2P DS-412	2
3	A2106601A	VARI.RES.WIRE RNF10L20F 100 OHM MK 3	3
4	C0200531A	TOGGLE SWITCH 3T30TD SAGAMI 1	1
5		WASHER HD TAP TIGHT-S- 3X8 2	2
6			
7			
8			
9			
10			
11			
12			
13			
14			
15			
16			
17			
18			
19			
20			
21			
22			
23			
24			
25			



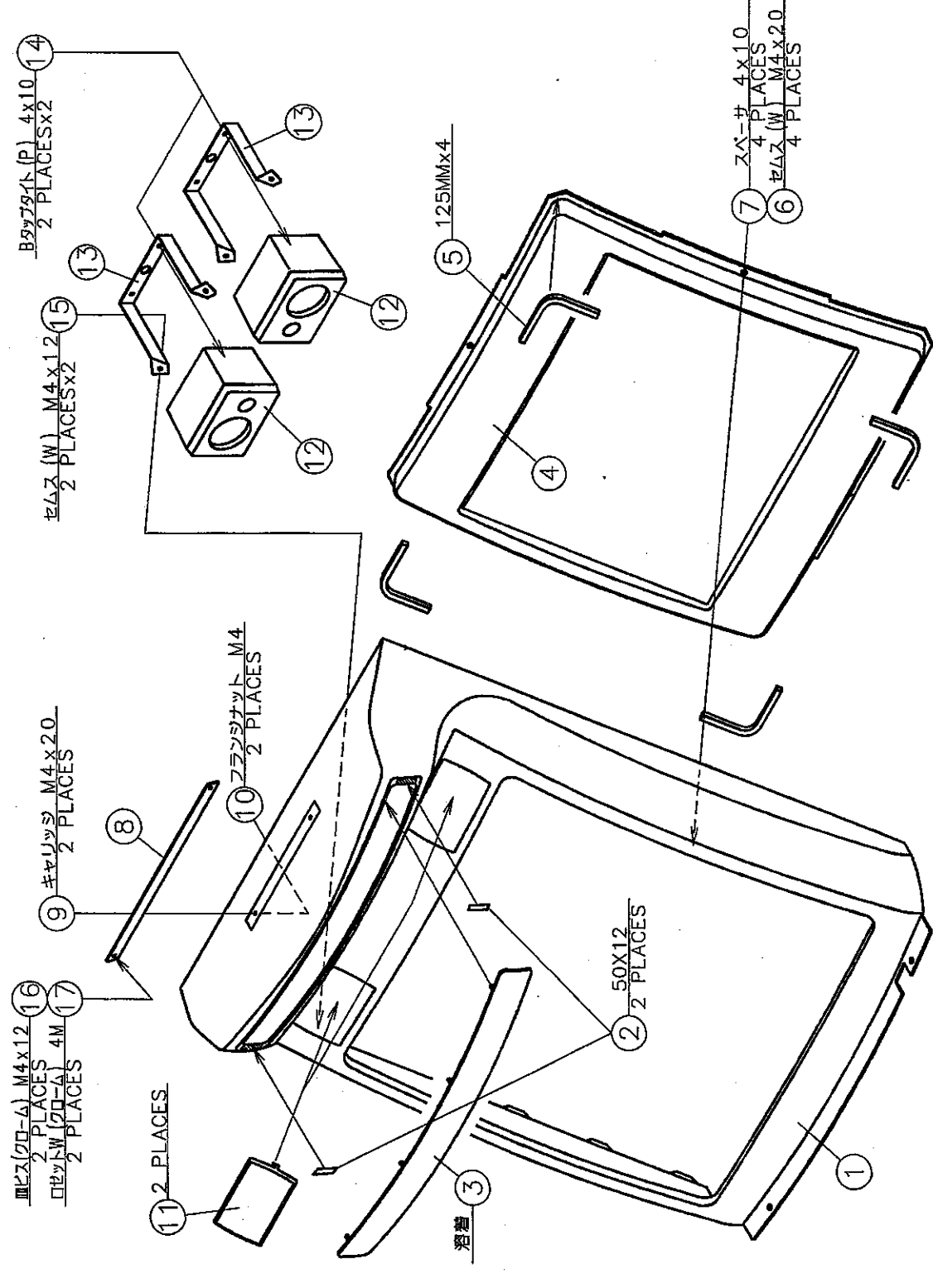
NOTE

TITLE CENTRAL CONTROL ASSY

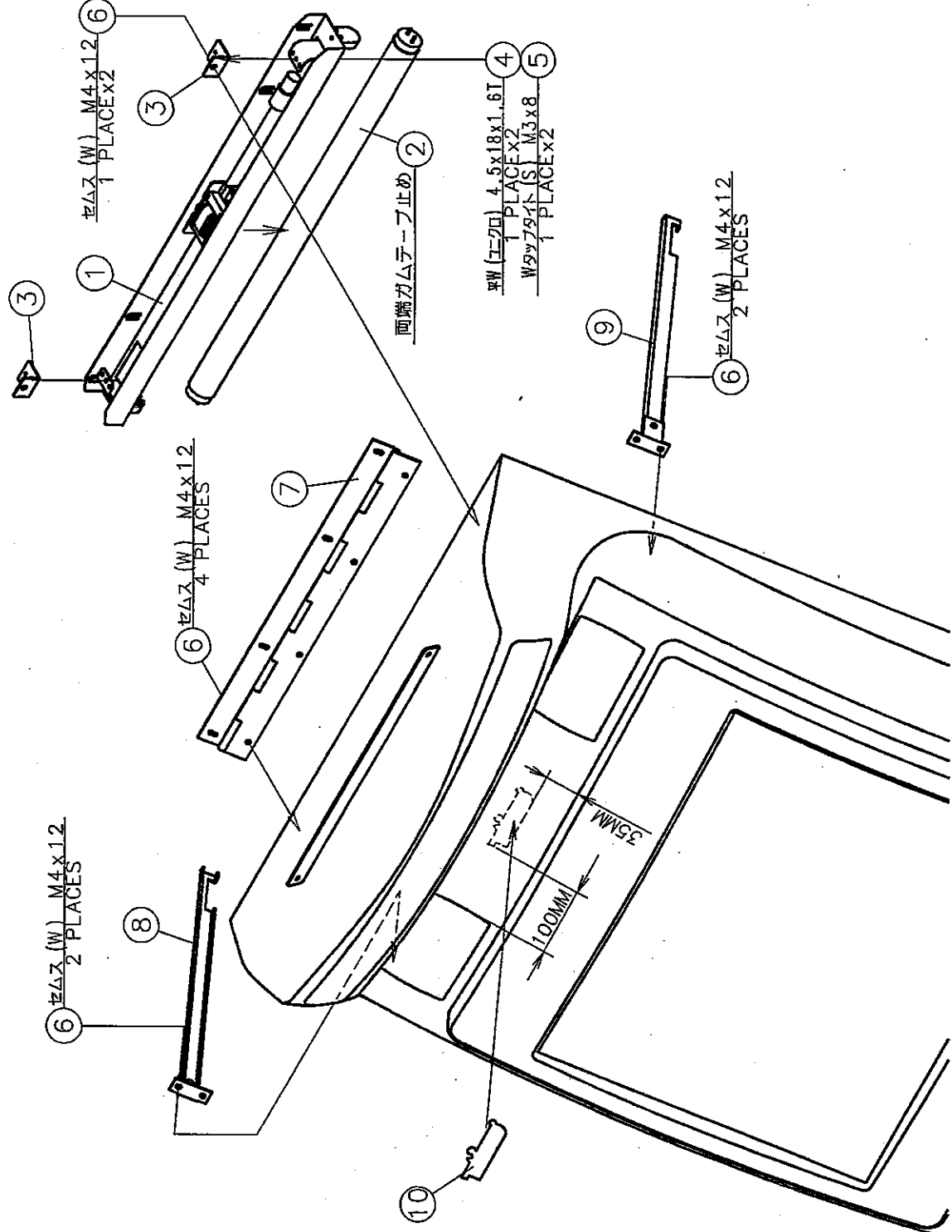
NOTE

TITLE FRONT PANEL ASSY

PARTS LIST			
No	PARTS No.	PARTS LIST	QTY
1	F9004271B	FRONT PANEL	1
2		DOUBLE FACE TAPE T0371(NITONS) 0.024	1
3	G9501248A	ILLUMINATION PANE	1
4	F9005843A	VIDEO MASK	1
5	F9004292A	VIDEO SPONGE 1025X8X5	1
6		PAN HD SEWTH SCREW-W M4X20 4	4
7		SPACER-(CHROMATE) 4X10 4	4
8	E3013382A	INSTRUCTION STAND A 1	1
9		CARRIAGE BOLT-(CHROME) M4X20 2	2
10		FLANGE NUT-(CHROMATE) M4 2	2
11	E3013210A	SPEAKER COVER	2
12	M1000287A	SPEAKER MINI BOX SYSTEM (4 OHM 10W) F77A70-11	2
13	E3013211A	SPEAKER BOX BRACKET	2
14		BIND HD TAP TIGHT-P 4X10 4	4
15		PAN HD SEWTH SCREW-W M4X12 4	4
16		C SINK HD SCREW-CHROME M4X12 2	2
17		ROSETTE WASHER-CHROME 4 4	4
18			
19			
20			
21			
22			
23			
24			
25			



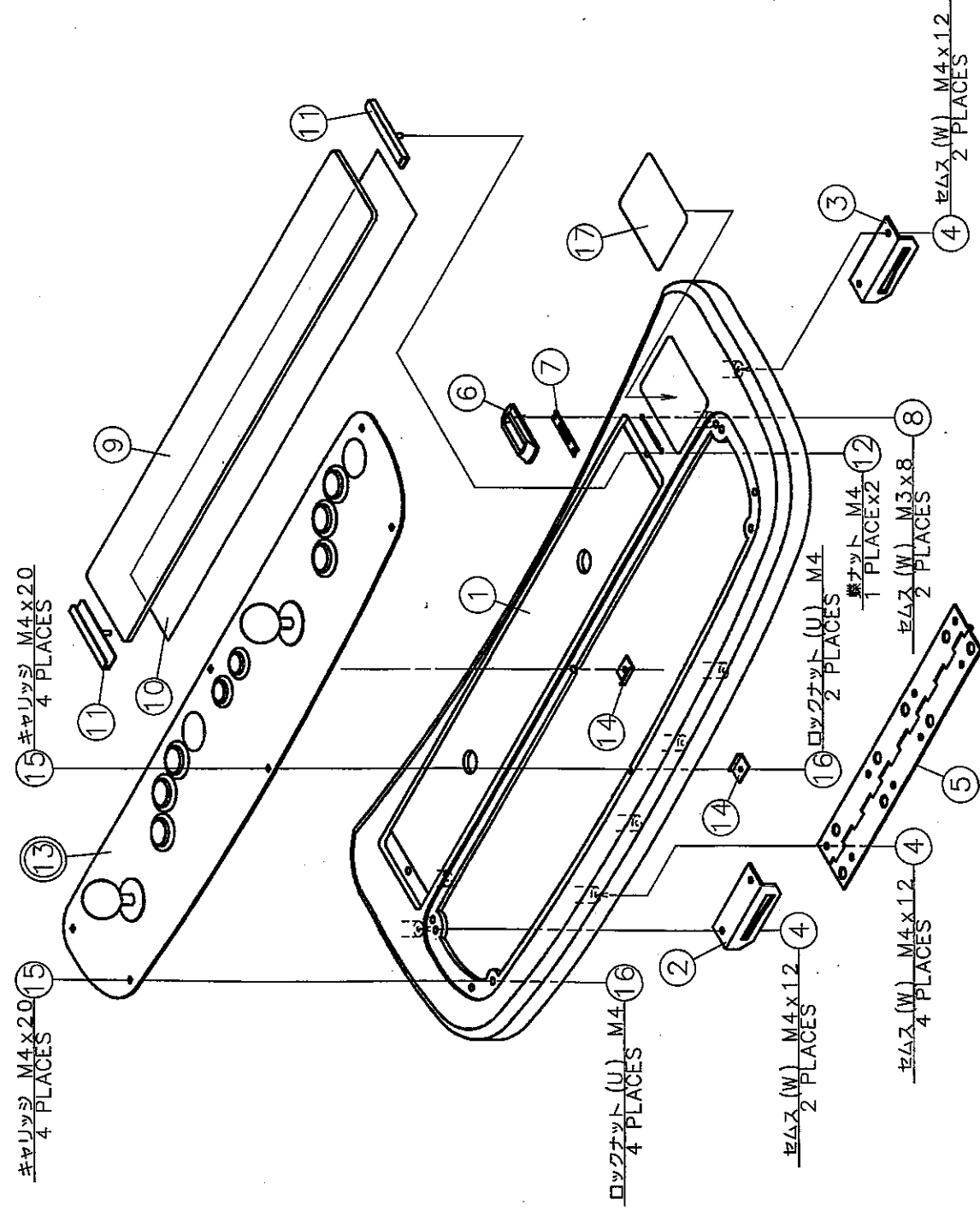
PARTS LIST			
No	PARTS No.	PARTS LIST	QTY
1	M1000177A	FL ASSY LW-21198T7	1
2	G1500044A	FL LAMP-(20W)(緑黄色) FL20SD	1
3	E3013212A	FL BRACKET	2
4		PLAIN WASHER-(UNICHRD) 4.5X18X1.6T	2
5		WASHER HD TAP TIGHT-S 3X8 2	2
6		PAN HD SEMUTH SCREW-W M4X12 10	10
7	E5060563A	TOP HINGE	1
8	E9001067B	PANEL STAY L	1
9	E9001068B	PANEL STAY R	1
10	G1501346A	TAITO STICKER SHEET	1
11			
12			
13			
14			
15			
16			
17			
18			
19			
20			
21			
22			
23			
24			
25			



TITLE FRONT PANEL ASSY

NOTE

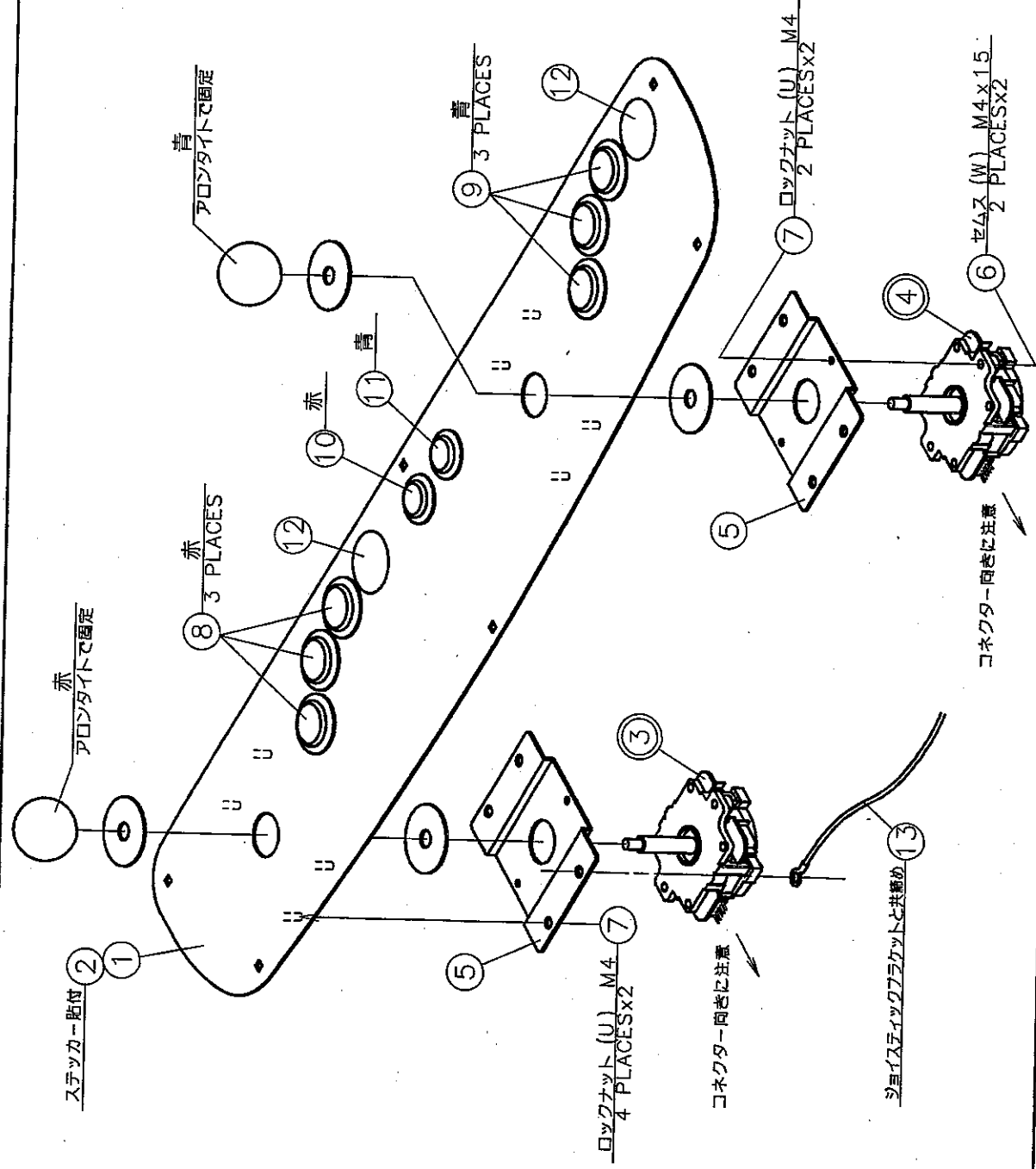
PARTS LIST			
No	PARTS No.	PARTS LIST	QTY
1	F9004273B	CONTROL PANEL	1
2	E3013275A	KEY HOOK L	1
3	E3013276A	KEY HOOK R	1
4		PAN HD SEMUTH SCREW-W M4X12 8	8
5	E5060564A	CONTROL HINGE	1
6	F9004277B	COIN ENTRY MOLDING GRAY	1
7	E3000262A	COIN ENTRY PLATE-(100YEN)	1
8		PAN HD SEMUTH SCREW-W M3X8 2	2
9	H1005080A	GLASS	1
10	G1502043A	DISPLAY CARD	1
11	E3013216A	GLASS STOPPER	2
12		WING NUT-(UNICHRD) M4 2	2
13	M0315293A	CONTROL PLATE ASSY-(2J88)	1
14	E3013218A	PLATE STOPPER	2
15		CARRIAGE BOLT-(CHROME) M4X20 6	6
16		SELF LOCKING NUT-U-(UNICHRD) M4 6	6
17	G6500011A	PRICE STICKER SHEET	1
18			
19			
20			
21			
22			
23			
24			
25			



TITLE CONTROL PANEL BASE ASSY

NOTE

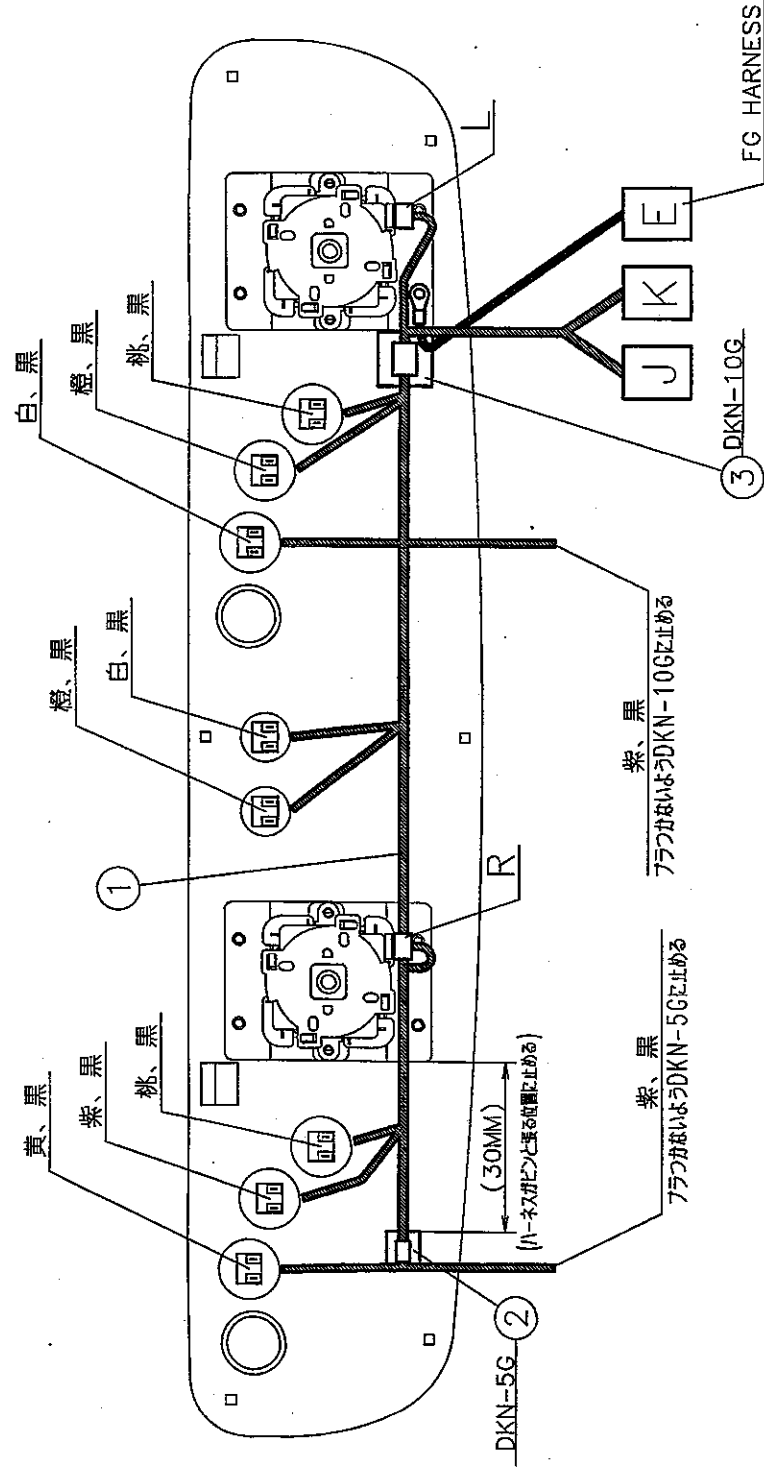
PARTS LIST		
No	PARTS No.	QTY
1	E3013217A CONTROL PLATE 2J8B	1
2	G1502044A CONTROL STICKER-(2J8B)	1
3	M1000178A JOYSTICK VIOLET JLF-TP-8Y	1
4	M1000179A JOYSTICK DARK BLUE JLF-TP-8Y	1
5	E3013247B JOYSTICK BRACKET	2
6	PNM IN SCREW (GRANITE) MAX16	4
7	SELF LOCKING NUT-U (UNI-CHRO) M4	12
8	C0200532A PUSH SW - (BEST FOR TOYOMA 12V)	3
9	C0200536A PUSH SW - (BEST FOR TOYOMA 12V)	3
10	C0200535A VIOLET OBSF-24N	1
11	C0200537A SPEED PUSH BUTTON DARK BLUE OBSF-24N	1
12	F9001053A BUTTON COVER D-30 DP-1187	2
13	L9003919A FG HARNESS	1
14		
15		
16		
17		
18		
19		
20		
21		
22		
23		
24		
25		



NOTE

TITLE CONTROL PLATE ASSY-(2J8B)

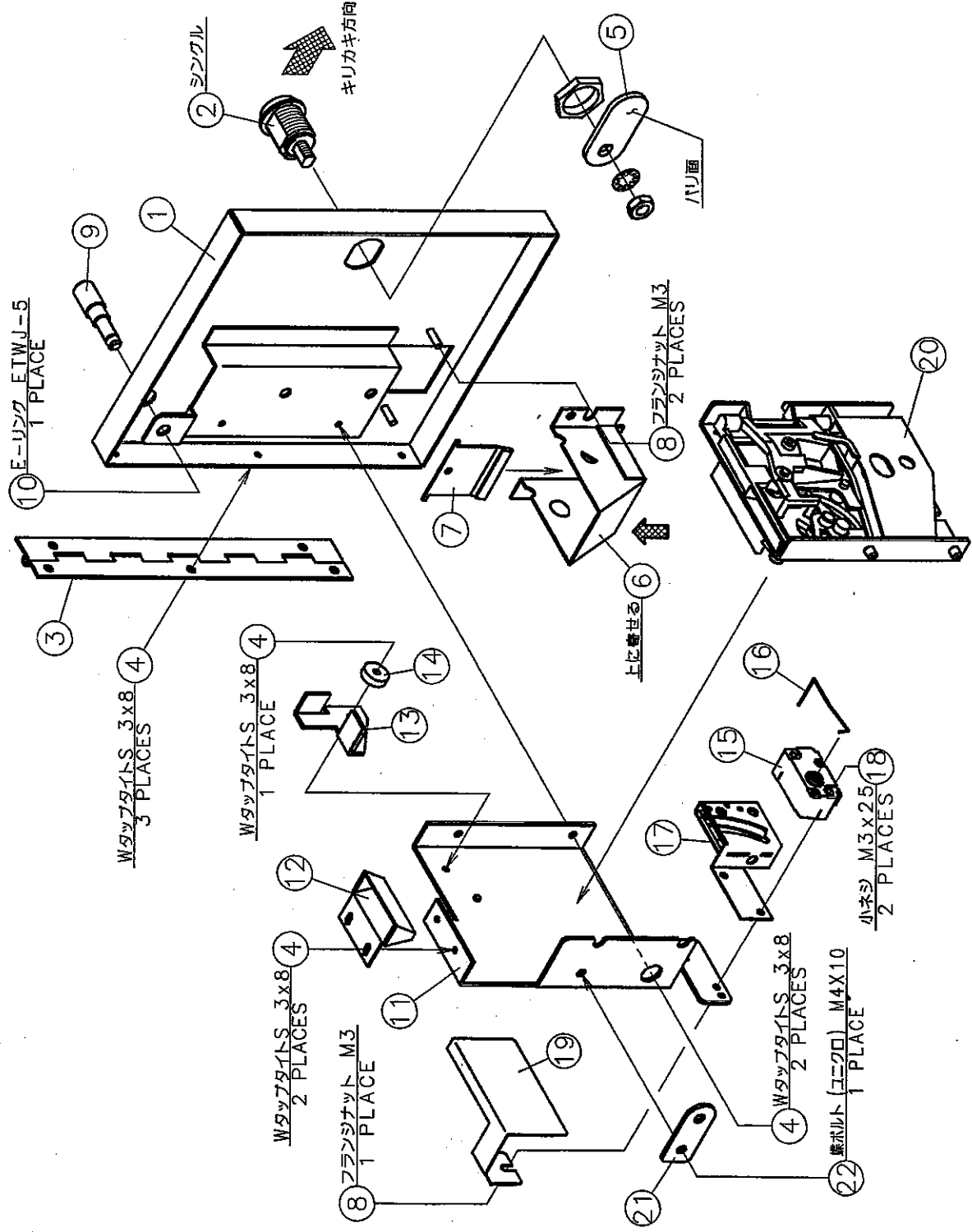
PARTS LIST		
No	PARTS No.	QTY
1	L3000506C K HARNESS-(2J8B)	1
2	F0100069A DK CRAMP-(17.5X19) DKN-5G	1
3	F0100071A DK CRAMP-(30X21) DKN-10G	1
4		
5		
6		
7		
8		
9		
10		
11		
12		
13		
14		
15		
16		
17		
18		
19		
20		
21		
22		
23		
24		
25		



NOTE

TITLE CONTROL PLATE ASSY-(2J8B)

PARTS LIST		
No	PARTS No.	PARTS LIST
1	E3013148A	REJECTOR DOOR
2	E5000628A+ LOCK KEY (SINGLE) Y-1153-(F750-M65S)	LOCK KEY (SINGLE) Y-1153-(F750-M65S)
3	E5060565A	DOOR HINGE
4		WASHER HD TAP TIGHT-S 3x8
5	E3000009A	LOCK PLATE
6	E3010035C	CUP
7	E3014448A	SHUTTER
8		FLANGE NUT M3
9	E1000928A	CANCEL ROD
10		E-RING ETWJ-5
11	E3013219A	REJECTOR HOLDER
12	E3009953A	COIN GUIDE
13	E3012094A	CANCEL LEVER
14	E1001508A	SPACER
15	C0200557A	MICRO SWITCH D2MC-01E
16	C0300022B	ACTUATOR
17	E3013220A	M.S. COIN GUIDE
18		PAN HD SCREW (CHROMATE) M3X25
19	E3000180A	ACTUATOR COVER
20	M1210014A	REJECTOR-(100 YEN) AD-81P3
21	E3013221A	REJECTOR PLATE
22		WING BOLT-(UN)CHRO) M4X10
23		
24		
25		

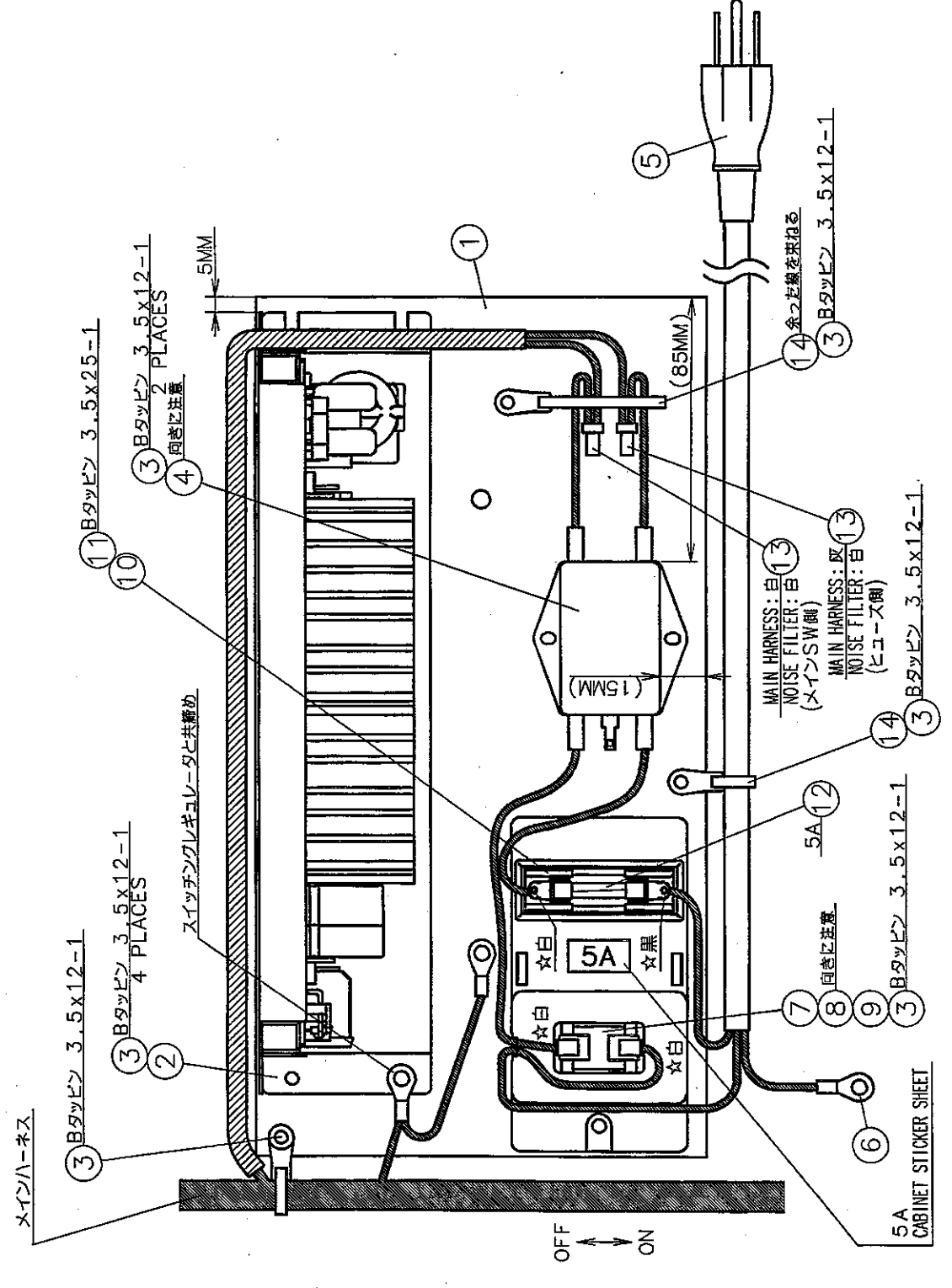


NOTE

REJECTOR DOOR ASSY

TITLE

PARTS LIST		
No	PARTS No.	PARTS LIST
1	D2001858A	ELECTRIC BASE
2	M1300027B	SWITCHING REGULATOR AAA-01A
3		RIND HD SELF TAP-(CHROMATE) 3.5x12-1
4	C1800026B	NOISE FILTER-(250V 5A) MR-2055
5	C0700329A	AC CORD WITH PLUG 3P-F-3M
6	C0600077A	ROUND TYPE TERMINAL-(FOR 4) FV2-H4
7	F9003665A	MAIN SWITCH BASE
8	C0200020A	LOCKING CRAMP (黒白) (SPST HOR. 25A 125V)
9	F9003664B	MAIN SWITCH COVER
10	C0550186A	FUSE HOLDER-(WITHOUT COVER)-IP F-3321
11		RIND HD SELF TAP-(CHROMATE) 3.5x25-1
12	C1600037A	FUSE-(5A 125V)-(6.3x30)
13	C0601005A	TERMINAL & CONNECTOR-5 (12A) CE-2
14	F0100031A	LOCKING CRAMP (黒白) S100-145F
15		
16		
17		
18		
19		
20		
21		
22		
23		
24		
25		

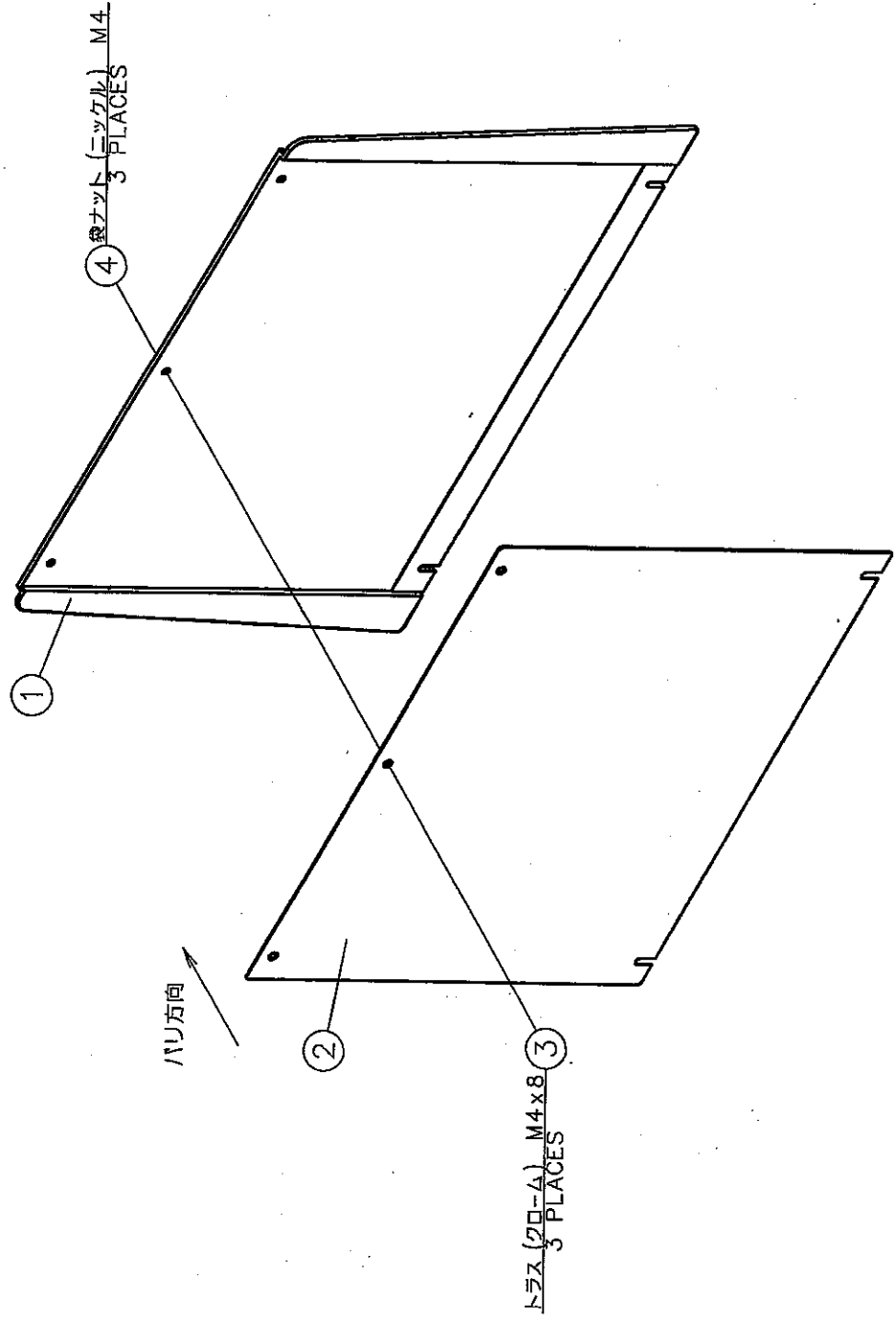


NOTE

ELECTRIC BASE ASSY

TITLE

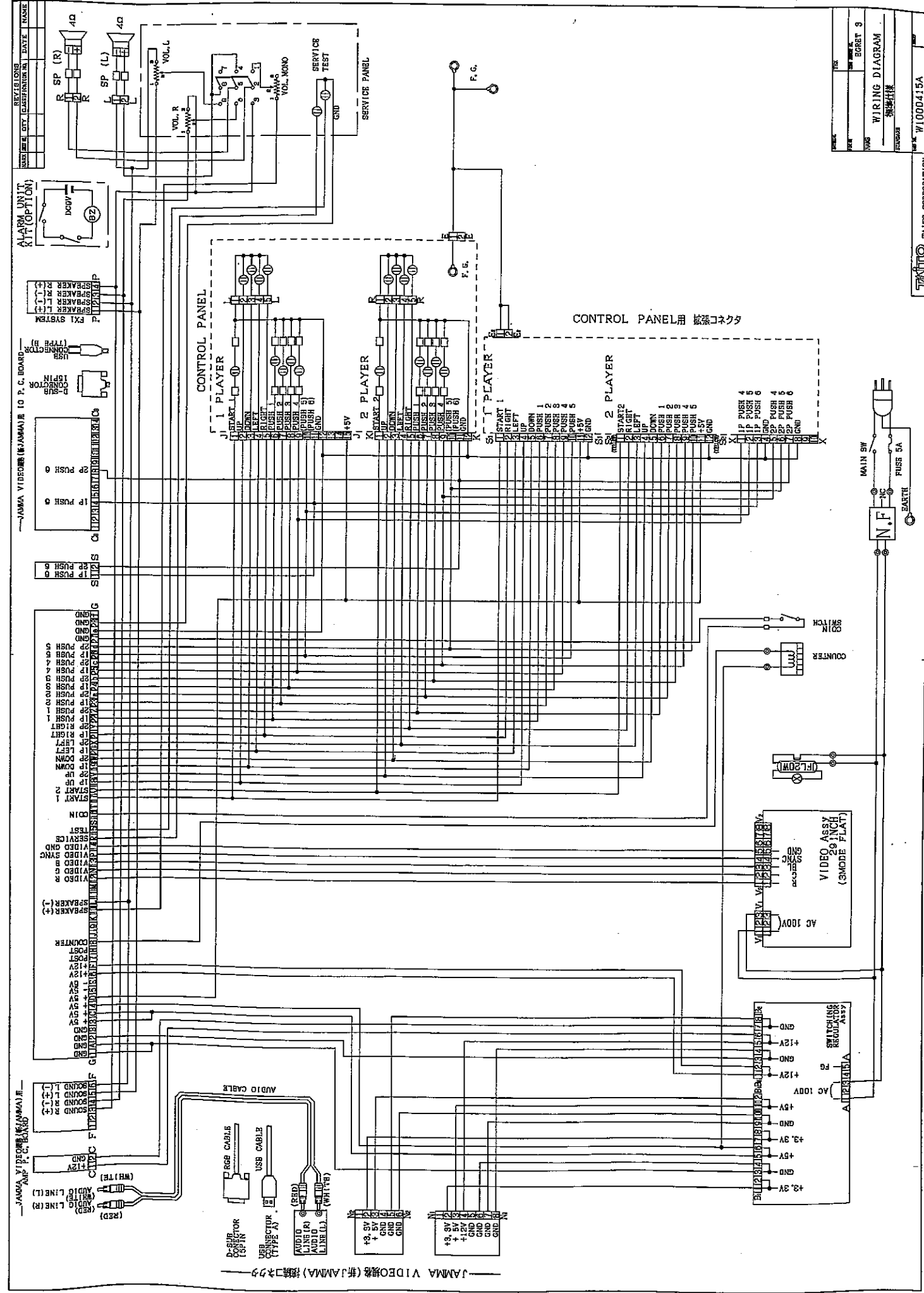
PARTS LIST			
No	PARTS No.	PARTS LIST	QTY
1	F9004278B	INSTRUCTION PANEL	1
2	F9004294B	INSTRUCTION COVER	1
3		TRUSS HD SCREW<CHROME> M4X8	3
4		HEX CAP NUT-(NICKEL) M4	3
5			
6			
7			
8			
9			
10			
11			
12			
13			
14			
15			
16			
17			
18			
19			
20			
21			
22			
23			
24			
25			



NOTE

TITLE ATTACHED PARTS

配線図



TYPE	SECRET 3
TYPE	WIRING DIAGRAM
FIGURE NO.	5000000
REV.	W1000415A

TAKATO PALCO CORPORATION

JAMMA VIDEO板 (JAMMA) 接続図